

LANAP333

Installation Instructions

Coverts Early Model 12' Belt Pick-up Heads to JD Combines with Splined Feeder House Drive

LANKOTA[®]

**270 West Park Avenue
Huron, SD 57350
866-526-5682**

Numerical Parts List

| Part Numbers | Description | Qty |
|---------------------|-------------------------------------|------------|
| LAN35-10416 | Slip Clutch | 1 |
| LANAN102383 | Driveshaft Connecting Chain | 1 |
| LAN6051C | #60 Drive Chain & Connector | 1 |
| LAN103C | Hanger Bearing Mount | 1 |
| LAN103E | Bearing Support Plate (50- Series) | 1 |
| LAN105 | Bearing Flange | 4 |
| LAN108 | PTO Support Bracket | 1 |
| LAN207KRRB12 | 1 1/8" Hex Bearing | 2 |
| LANAH161580 | Snap Clip | 1 |
| LANPH002 | Bearing Extension (60+ Series) | 1 |
| LANPH004 | Bearing Support Plate (60+ Series) | 1 |
| LANPH006 | Main Drive Shaft Guard (60+ Series) | 1 |
| LANPH007 | Guard Brace (60+ Series) | 1 |
| LANPH008 | Male Hex to Sprocket Connector | 1 |
| LANPH009 | Hex Drive Shaft | 1 |
| LANPH010 | Female Hex to Sprocket Connector | 1 |
| LANPH011 | Main Drive Shaft Guard (50- Series) | 1 |
| LANPH012 | Guard Brace (50- Series) | 1 |
| LANPH013 | Bearing Spacer Flange | 3 |
| LANPH014 | End Guard (60+ Series) | 1 |
| LANPH015 | Guard Hinge | 1 |
| LANPH016 | Folding End Guard (60+ Series) | 1 |
| LANPH017 | Folding Guard Stop (60+ Series) | 1 |
| LANSC2-1125-BO | Double Split Hex Locking Collar | 1 |

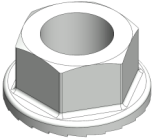

Numerical Parts List

| Part Numbers | Description | Qty |
|---------------------|--------------------------------|------------|
| LANAP333BH | Bag of Hardware | 1 |
| LAN18A | 3/8" x 1" Carriage Bolt | 11 |
| LAN3718 | 3/8" Serrated Flange Nut | 23 |
| LAN3722 | 1/2" Serrated Flange Nut | 1 |
| LAN22000 | 1/2" Flat Washer | 1 |
| LANF0DNU | #10 Nyloc Nut | 1 |
| LANF06WS | #10 x 1/2" Socket Head Bolt | 1 |
| LANF90631A007 | #6 Nyloc Nut | 4 |
| LANF92210A148 | #6 x 1/2" Flat Head Cap Screw | 4 |
| LANFB526 | 1/2" x 6 1/2" Hex Bolt | 1 |
| LANFK303 | 3/8" x 3/4" Carriage Bolt | 3 |
| LANFM7KV | 3/8" x 1" Serrated Flange Bolt | 7 |
| LANFXG26 | 5/16" x 3/4" Carriage Bolt | 7 |
| LANNAS2 | 5/16" Serrated Flange Nut | 7 |
| RED305K | 3/18" x 1 1/4" Carriage Bolt | 3 |
| LANF5415K86 | 4" Hose Clamp | 2 |
| LANFWS53 | 3/8" SAE Flat Washer | 2 |

Pictorial Parts List

| | | | | | |
|---|---|--|---|---|---|
|  |  |  |  |  |  |
| LAN35-10416 (1) | LANAN102383 (1) | LAN6051C (1) | LAN103C (1) | LAN103E (1) | LAN105 (4) |
|  |  |  |  |  |  |
| LAN108 (1) | LAN207KRRB12 (2) | LANAH161580 (1) | LANPH002 (1) | LANPH004 (1) | LANPH006 (1) |
|  |  |  |  |  |  |
| LANPH007 (1) | LANPH008 (1) | LANPH009 (1) | LANPH010 (1) | LANPH011 (1) | LANPH012 (1) |
|  |  |  |  |  |  |
| LANPH013 (3) | LANPH014 (1) | LANPH015 (1) | LANPH016 (1) | LANPH017 (1) | LANSC2-1125-BO (1) |

Bag of Hardware - Pictorial Parts List

| | | | | | |
|---|---|---|---|---|---|
|  |  |  |  |  |  |
| LAN18A (11) | LAN3718 (23) | LAN3722 (1) | LAN22000 (1) | LANF0DNU (1) | LANF06WS (1) |
|  |  |  |  |  |  |
| LANF90631A007 (4) | LANF92210A148 (4) | LANFB526 (1) | LANFK303 (3) | LANFM7KV (7) | LANFXG26 (7) |
|  |  |  |  | | |
| LANNAS2 (7) | RED305K (3) | LANF5415K86 (2) | LANFWS53 (2) | | |

1. **Attach header to the combine. Lock the head to the combine.**
2. **Raise the head off the ground and lower the safety stop on the feeder house cylinder.**
3. **Set the parking brake on the combine.**
4. **Turn off the combine engine and remove the key.**

NOTE: Kit assembly can also be done with the head not attached to the combine.

SECTION 1 - JD Combine 60 Series and Newer

SECTION 2 - JD Combine 50 Series and Older

1 - Kit Installation : 60 Series and Newer JD Combines

Refer to Figures 1 & 2

1. Remove the side OEM cover, loosen the chain and remove all original driveline components.
2. Attach the bearing extension (LANPH002) to the side of the head and bolt through the existing bearing mount holes with three 3/8" x 3/4" carriage bolts (LANFK303) and 3/8" serrated flange nuts (LAN3718).
3. Mark the four locations as shown below to bolt into the head. Remove the bearing extension and drill 3/8" holes through the flange on the head at all four locations.
4. Re-attach the bearing extension with the previous three 3/8"x 3/4" carriage bolts. Bolt four 5/16" x 3/4" carriage bolts (LANFXG26) and 5/16" serrated flange nuts (LANNAS2) through the previously drilled holes.

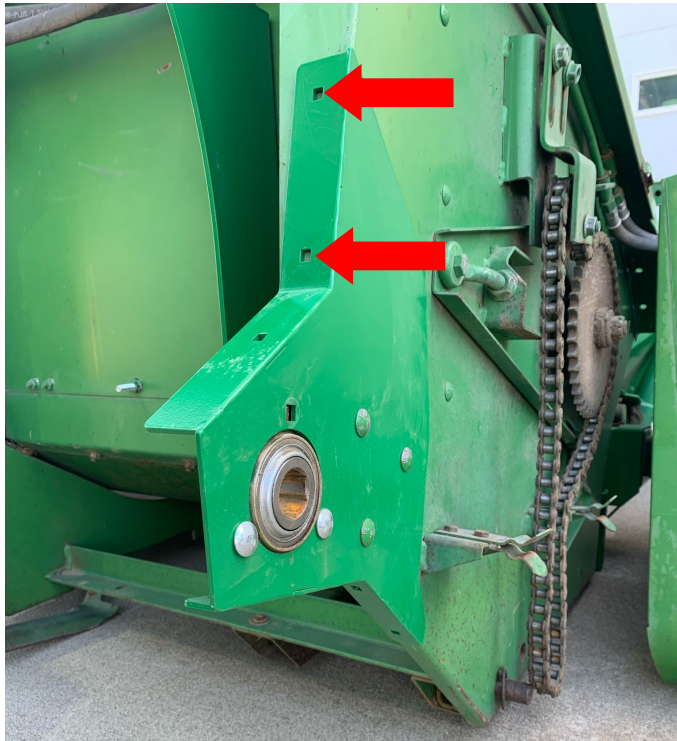


Figure 1



Figure 2

1 - Kit Installation : 60 Series and Newer JD Combines

Refer to Figures 3 & 4

5. Attach the bearing hanger mount (LAN103C) to the head at the set of two vertical holes farthest to the left with two 3/8" x 1" carriage bolts (LAN18A) and 3/8" serrated flange nuts (LAN3718).
6. Drill through the top slot on the bearing hanger mount and the top tube on the head with a 9/16" drill bit. Attach the top of the bearing hanger to the head with a 1/2" x 6 1/2" hex bolt (LANFB526), 1/2" flat washer (LAN22000), and 1/2" serrated flange nut (LAN3722).



Figure 3



Figure 4

1 - Kit Installation : 60 Series and Newer JD Combines

Refer to Figures 5 & 6

7. Attach the guard brace (LANPH007) to the head using two 3/8" x 1" carriage bolts (LAN18A) and 3/8" serrated flange nuts (LAN3718). **Lightly hand tighten only at this time.**
8. Mount a hex bearing (LAN207KRRB12) between two bearing flanges (LAN105) with two bearing shims (LANPH013) as shown to the inside of the bearing extension (LANPH002). Use three 3/8" x 1 1/4" carriage bolts (RED305K) and 3/8" serrated flange nuts. **Lightly hand tighten only at this time.**



Figure 5



Figure 6

1 - Kit Installation : 60 Series and Newer JD Combines

Refer to Figures 7 & 8

- Slide the hex drive shaft (LANPH009) through the hex bearing from the outside.
- Using a straight edge, check the alignment of the drive sprocket with the main auger sprocket. If necessary, add or remove bearing shims (LANPH013) under the hex bearing to achieve the correct alignment. **Temporarily tighten the bearing flange bolts to check sprocket alignment, but loosen when finished.**



Figure 7



Figure 8

1 - Kit Installation : 60 Series and Newer JD Combines

Refer to Figures 9 & 10

11. Slide the bearing support (LANPH004) over the hex shaft and attach to the hanger bearing mount (LAN-103C) with three 3/8" x 1" carriage bolts (LAN18A) and 3/8" serrated flange nuts (LAN3718). **Lightly hand tighten only at this time.**
12. Slide the hex locking collar (LANSC2-1125-BO) onto the hex shaft all the way to contact the first hex bearing previously installed. Tighten the locking collar.
13. Slide a hex bearing (LAN207KRRB12) between two bearing flanges (LAN105) on the hex shaft and attach them to the bearing support with three 3/8" x 1" carriage bolts and 3/8" serrated flange nuts. **Lightly hand tighten only at this time.**



Figure 9



Figure 10

1 - Kit Installation : 60 Series and Newer JD Combines

Refer to Figures 11 & 12

14. Attach the main guard (LANPH006) to the bearing extension (LANPH002) and to the guard support (LANPH007) with three 5/16" x 3/4" carriage bolts (LANFXG26) and 5/16" serrated flange nuts (LANNAS2). **Lightly hand tighten only at this time.**
15. Attach the main guard to the bearing support (LANPH004) with a 3/8" x 1" carriage bolt (LAN18A) and 3/8" serrated flange nut (LAN3718). **Lightly hand tighten only at this time.**
16. Attach the hinge (LANPH015) to the folding guard (LANPH016) using two, #6 x 1/2" flat head screws (LANF92210A148) and #6 lock nuts (LAN90631A007).



Figure 11



Figure 12

1 - Kit Installation : 60 Series and Newer JD Combines

Refer to Figures 13 - 15

17. Attach the hinge and folding guard (LANPH016) to the main guard (LANPH006) with two #6 x 1/2" flat head screws and #6 lock nuts.
18. Slide the hex adapter (LANPH010) onto the hex shaft (LANPH009).
19. Put the connector stub shaft (LANPH008) into the slip clutch (LAN35-10416) and attach the slip clutch to the combine drive shaft.



Figure 13



Figure 14

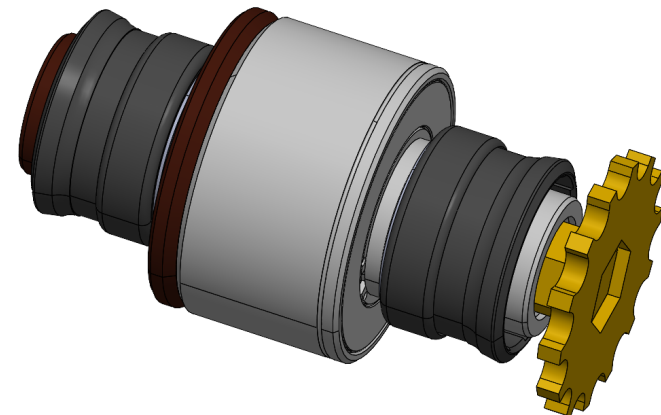


Figure 15

1 - Kit Installation : 60 Series and Newer JD Combines

Refer to Figures 16 & 17

20. Pick up the head with the combine.
21. With all the bearing and support bolts loose, adjust the hex drive shaft until the two sprocket ends on LANPH008 & LANPH010 align.
22. Wrap the connector chain (LANAN102383) around the two sprockets and secure them with the 4" hose clamp (LANF5415K86).
23. Tighten all other hardware.
24. Install new chain (LAN6051C) and tighten with tensioner.

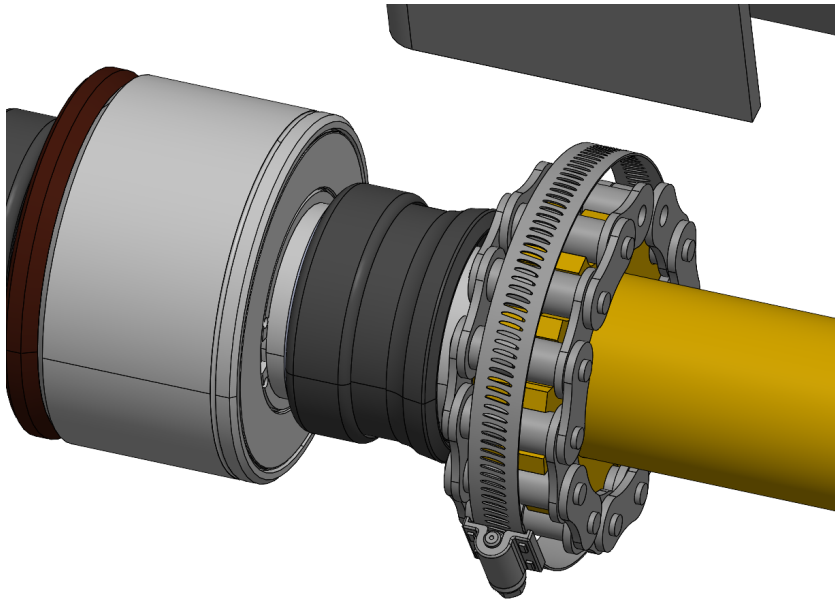


Figure 16



Figure 17

1 - Kit Installation : 60 Series and Newer JD Combines

Refer to Figures 18 & 19

25. Hook the OEM side cover into the upper hooks and let it hang down to contact the drive chain.
26. Mark the two locations (top and bottom) where the chain contacts the cover.
27. Cut the cover on three sides, 1" above and 1" below the marks where the chain contacts the cover (shown with red lines below).
28. Re-attach the OEM side cover to the head.
29. Hold the end guard (LANPH014) to the side cover while lining up the edges. Mark the three holes and drill them with a 7/16" drill bit.
30. Attach the end guard to the side cover with three 3/8" x 1" serrated flange bolts (LANFM7KV) and 3/8" serrated flange nuts (LAN3718)



Figure 18



Figure 19

1 - Kit Installation : 60 Series and Newer JD Combines

Refer to Figures 20 & 21

31. Using a clamp, locate the folding guard stop (LANPH017) on the vertical beam of the head. Raise the stop until it just contacts the folding guard stop (LANPH016). Mark and drill 7/16" holes to attach the folding guard stop with two 3/8" x 1" serrated flange bolts (LANFM7KV) and two 3/8" serrated flange nuts (LAN3718).
32. Attach the snap clip (LANAH161580) to the folding guard stop with a #10 x 1/2" socket head screw (LANF06WS) and #10 nyloc nut (LANFODNU).



Figure 20



Figure 21

2 - Kit Installation : 50 Series and Older JD Combines

Refer to Figures 1 & 2

1. Remove the side OEM cover, loosen the chain and remove all original driveline components.
2. Attach the bearing hanger mount (LAN103C) to the head at the set of two vertical holes farthest to the left with two 3/8" x 1" carriage bolts (LAN18A) and 3/8" serrated flange nuts (LAN3718).
3. Drill through the top slot on the bearing hanger mount and the top tube on the head with a 9/16" drill bit. Attach the top of the bearing hanger to the head with a 1/2" x 6 1/2" hex bolt (LANFB526), 1/2" flat washer (LAN22000), and 1/2" serrated flange nut (LAN3722).



Figure 1



Figure 2

2 - Kit Installation : 50 Series and Older JD Combines

Refer to Figures 3 & 4

4. Attach the guard brace (LANPH012) with a 3/8" x 1" (LAN18A) carriage bolt and 3/8" serrated flange nut (LAN3718) through the top hole.
5. Drill a 3/8" hole through the bottom hole and attach with a 3/8" x 1" serrated flange bolt (LANFM7KV) and 3/8" serrated flange nut. Leave these bolts loose for now as the brace may need to shift to one side.



Figure 3

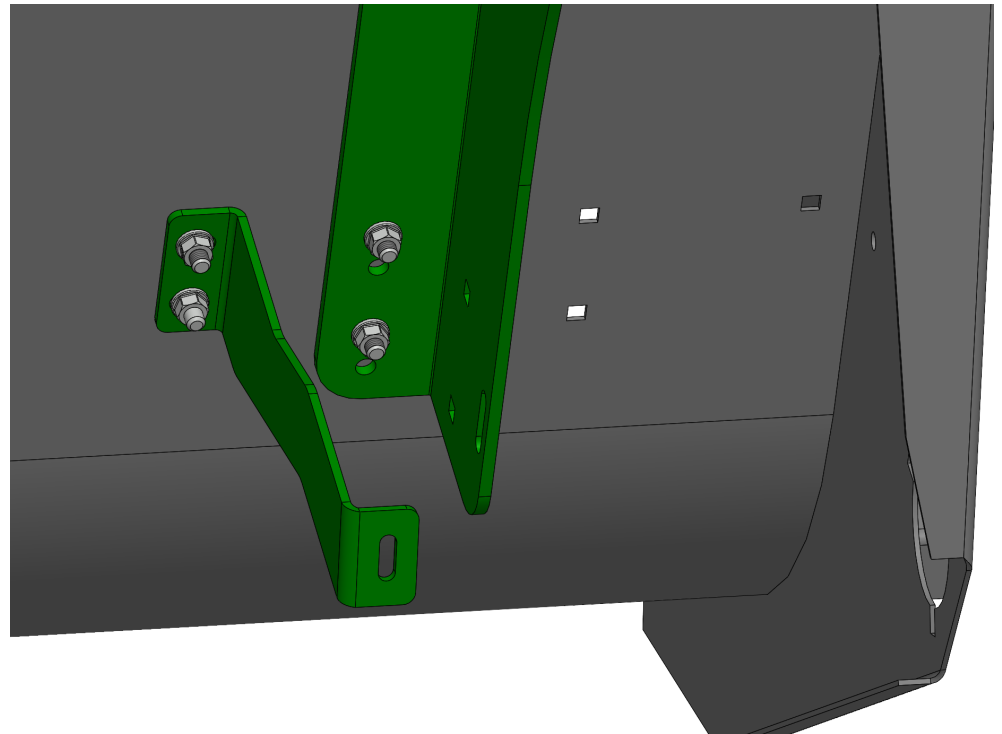


Figure 4

2 - Kit Installation : 50 Series and Older JD Combines

Refer to Figures 5 & 6

6. Attach the bearing support plate (LAN103E) to the hanger bearing mount (LAN103C) with three 3/8" x 1" carriage bolts (LAN18A) and 3/8" serrated flange nuts (LAN3718). **Lightly hand tighten only at this time.**
7. Place a hex bearing (LAN207KRRB12) between two bearing flanges (LAN105) and attach them to the bearing support with three 3/8" x 1" carriage bolts and 3/8" serrated flange nuts. Repeat this at the end of the head on the right side. **Lightly hand tighten only at this time.**



Figure 5



Figure 6

2 - Kit Installation : 50 Series and Older JD Combines

Refer to Figures 7 & 8

8. Hold the main driveshaft guard (LANPH011) up to the right edge of the head in line with the slot on the guard brace (LANPH012).
9. Mark through the upper and lower square holes onto the flange on the head. Drill through these marks with a 3/8" drill bit.



Figure 7

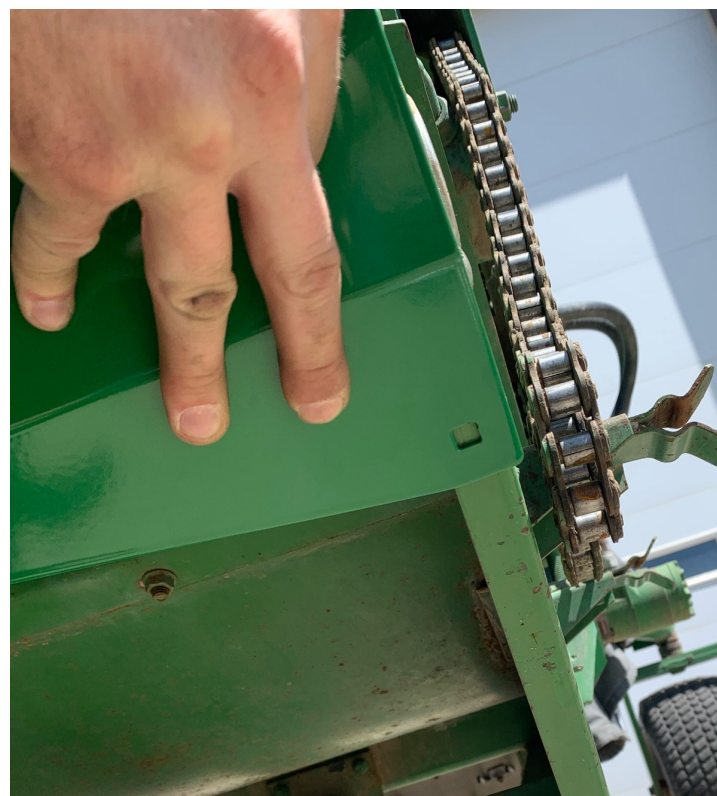


Figure 8

2 - Kit Installation : 50 Series and Older JD Combines

Refer to Figures 9 & 10

10. Bolt the main guard (LANPH011) to the head with two 5/16" x 3/4" carriage bolts (LANFXG6) and 5/16" serrated flange nuts (LANNAS2). Use a 3/8" SAE washer (LANFWS53) under the heads of these two carriage bolts.
11. Bolt the main guard to the guard brace (LANPH012) with a 5/16" x 3/4" carriage bolt and 5/16" serrated flange nut.
12. Take the hex drive shaft (LANPH009) to a chop saw or other cutting device and cut 5 1/2" off the end.



Figure 9



Figure 10

2 - Kit Installation : 50 Series and Older JD Combines

Refer to Figures 9 & 10

13. Begin sliding the hex drive shaft (LANPH009) through the outer bearing from the outside and place the hex locking collar (LANSC2-1125-BO) onto the hex shaft all the way to contact the outside bearing.
14. Slide the hex drive shaft into the bearings from the right, all the way until it contacts the outer bearing. Tighten the hex collar to lock the hex shaft from siding from side to side.



Figure 11

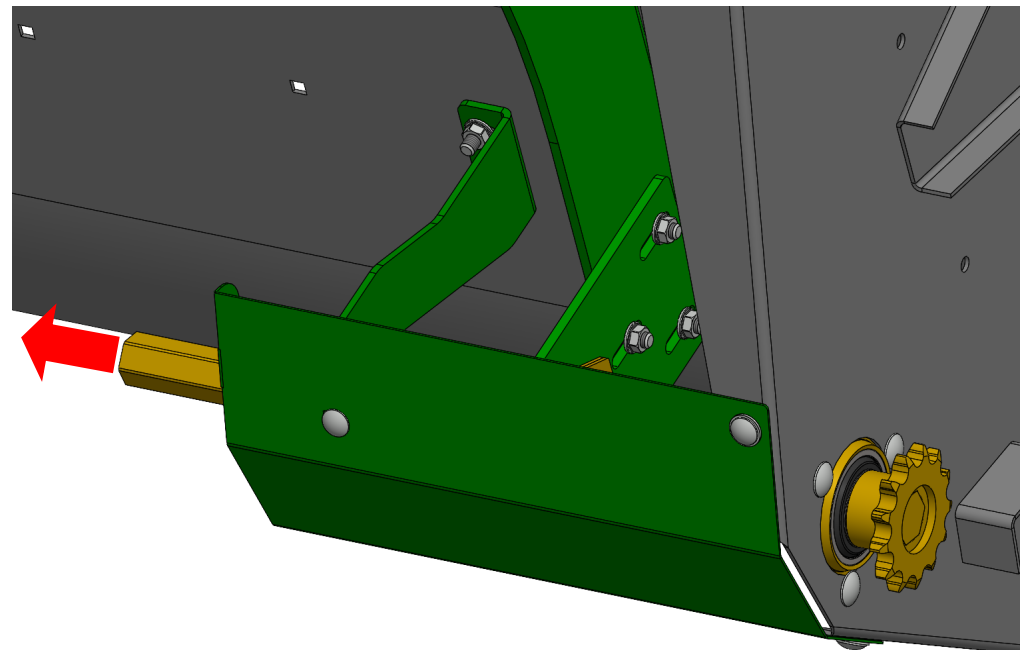


Figure 12

2 - Kit Installation : 50 Series and Older JD Combines

Refer to Figures 9 & 10

15. Slide the hex adapter (LANPH010) onto the hex shaft (LANPH009).

16. Put the connector stub shaft (LANPH008) into the slip clutch (LAN35-10416) and attach the slip clutch to the combine drive shaft.



Figure 13

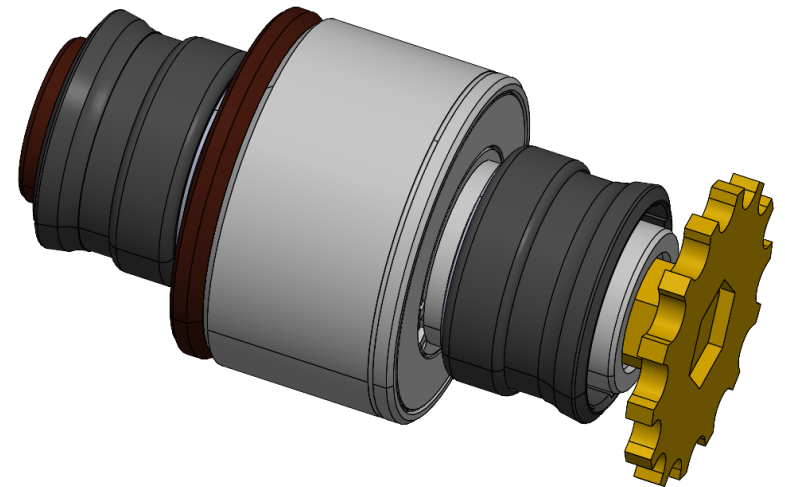


Figure 14

2 - Kit Installation : 50 Series and Older JD Combines

Refer to Figures 9 & 10

17. Pick up the head with the combine.
18. With all the bearing and support bolts loose, adjust the hex drive shaft until the two sprocket ends on LANPH008 & LANPH010 align. **NOTE: If the vertical misalignment exceeds 1/4", it is recommended to remove the head and add or remove shims on the top of the feeder house accordingly.**
19. Wrap the connector chain (LANAN102383) around the two sprockets and secure them with the 4" hose clamp (LANF5415K86).
20. Tighten all other hardware.



Figure 15



Figure 16

2 - Kit Installation : 50 Series and Older JD Combines

Refer to Figures 9 & 10

21. Re-install and tension the original chain, or cut the new chain (LAN6051C) to the correct length and install it.
22. Re-install the original side cover.

For further technical assistance, Call Lankota Inc. at: 1-866-526-5682



Figure 17



Figure 18