

LANBS23504

Installation Instructions

Lankota Upper Feeder House Brush Kit for JD® 00, 10, 50 & 60 (-720x00) Series Narrow Body Contour Master Combines

LANKOTA®

270 West Park Avenue
Huron, SD 57350
866-526-5682

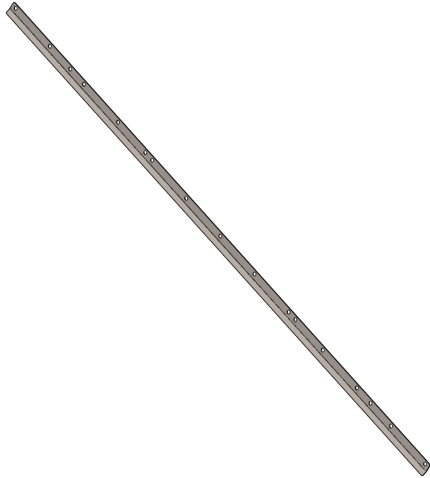
Numerical Parts List

Part Numbers	Description	Qty
LANBS6FD52	Brush	1
LANBS6FD02-03	Brush Holder - (Long) Bottom	1
LANBS6FD02-04	Brush Holder - (Long) Top	1
LAN84213E	Shield Drum Narrow	1
LANBS22489-02	Brush Spacer	1
LAN204K	5/16-18 x 1" Carriage Bolt	6
REDKRJ8	5/16-18 Top Lock Nut	6

Preparation

- 1. Remove head from combine if one is attached.**
- 2. Raise the feeder house and lower the safety stop on the feeder house cylinder.**
- 3. Set the parking brake on the combine.**
- 4. Turn off the combine engine and remove the key.**

Pictorial Parts List

 <p>LANBS6FD52 (1)</p>	 <p>LANBS6FD02-03 (1)</p>	 <p>LANBS6FD02-04 (1)</p>	 <p>LAN84213E (1)</p>
 <p>LANSB22489-02 (1)</p>	 <p>LAN204K (6)</p>	 <p>REDKRJ8 (6)</p>	

Kit Installation

Refer to Figure 1

1. Take the brush holders (LANBS6FD02-03 & LANBS6FD02-04) and brush spacer (LANBS22489-02) and cut each along the etch lines and notch locations. The resulting lengths should be 48" long (centered from side to side).

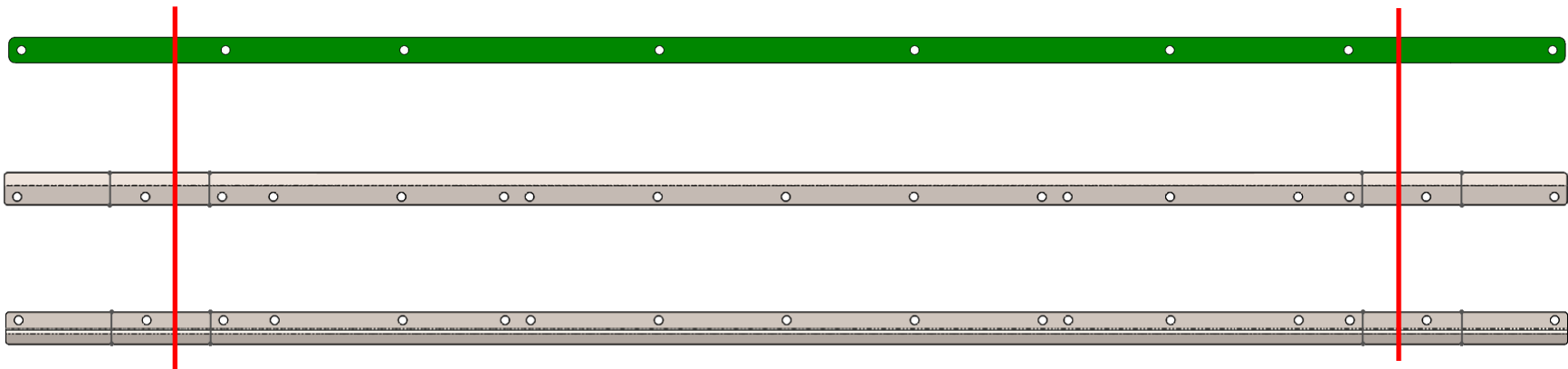


Figure 1

Kit Installation

Refer to Figures 2 - 4

2. Install the brush on the back of shield LAN84213E as shown below; use the provided 5/16" x 1" carriage bolts (LAN204K) and top lock nuts (REDKRJ8). Use the brush spacer (LANBS22489-02) to space the stainless brush holders off the back of the shield.

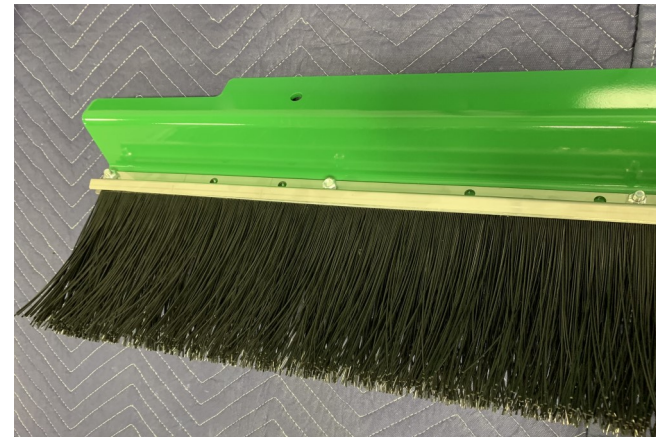


Figure 2

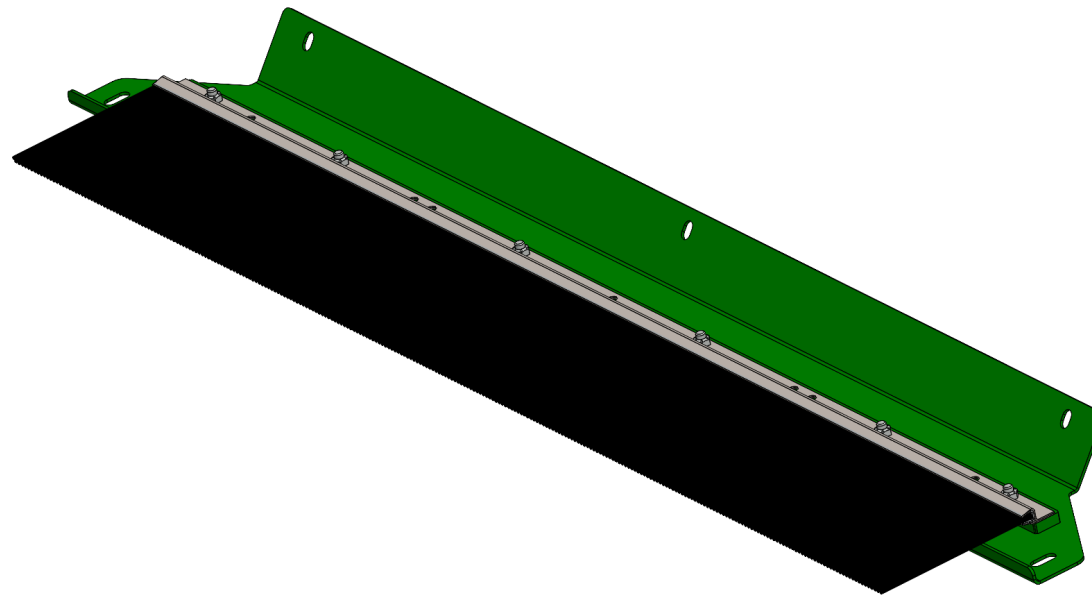


Figure 3

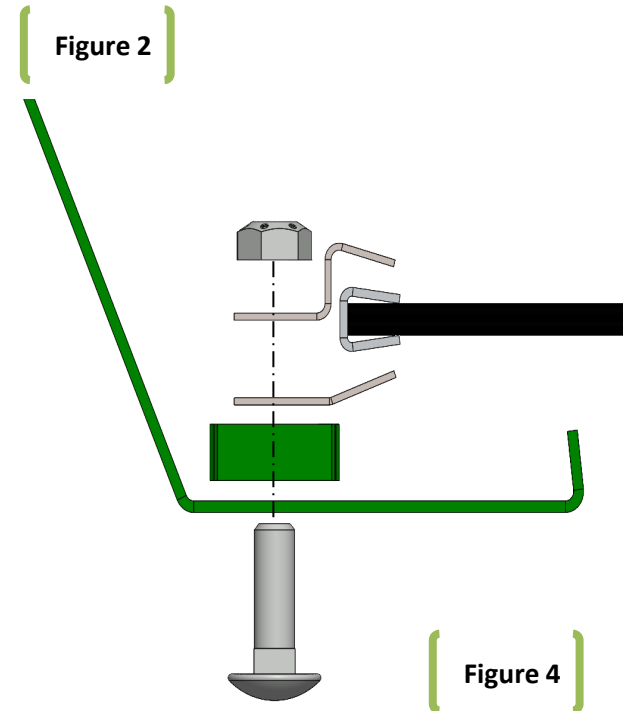


Figure 4

Kit Installation

Refer to Figure 5

3. Remove the original center upper feeder house shield and replace it with the previously assembled shield and brush.
4. Re-attach the original side shields.

For further technical assistance,

Call Lankota Inc. at:

1-866-526-5682

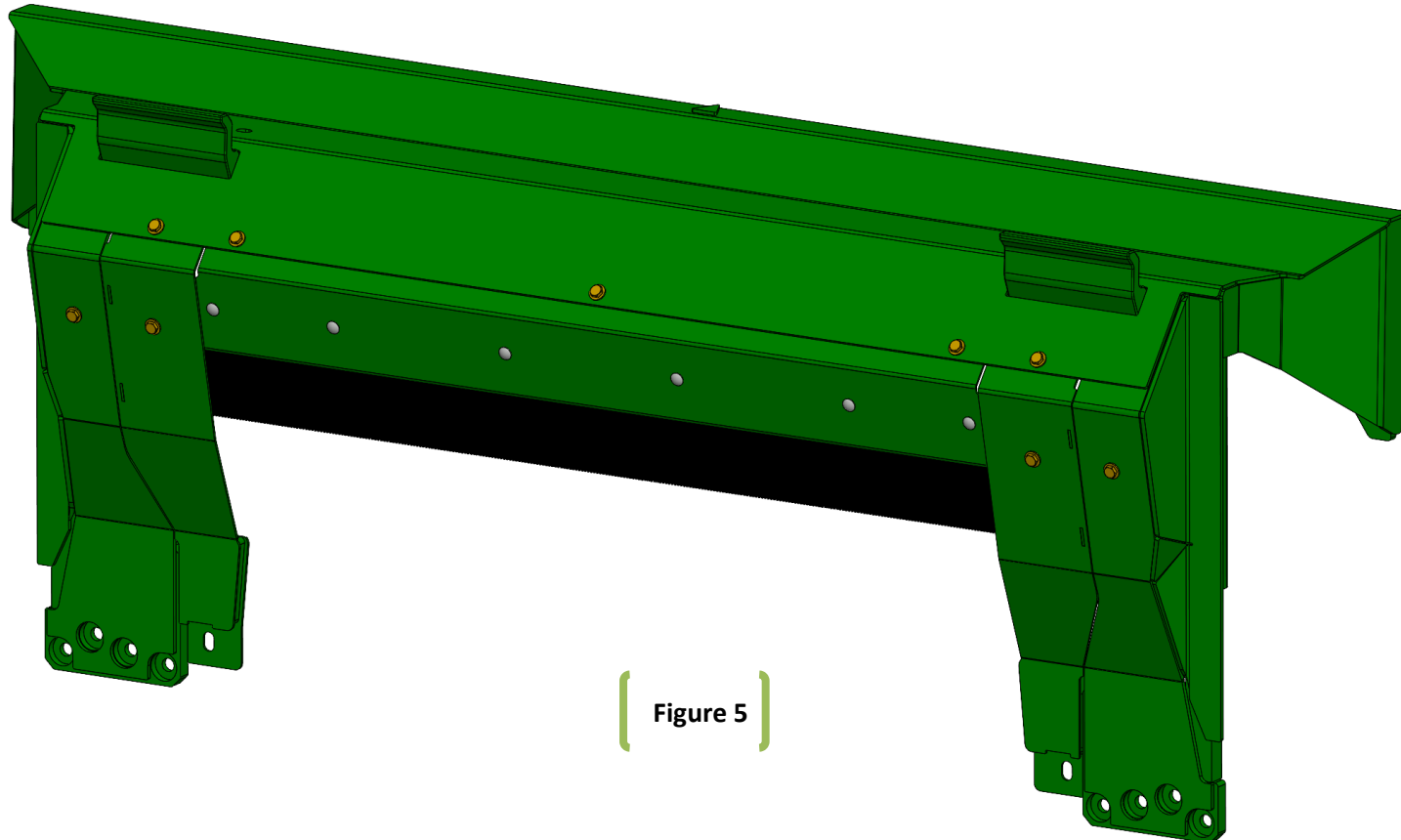


Figure 5