

LANBSMC75

Installation Instructions

Lankota Brush Kit for MacDon/CIH Flex Draper Heads (FD70, FD75 & FD1)

LANKOTA®

270 West Park Avenue
Huron, SD 57350
866-526-5682

Numerical Parts List

Part Numbers	Description	Qty
LANBSMC13A	MacDon Brush Mount (Left)	1
LANBSMC13B	MacDon Brush Mount (Right)	1
LANBS6FD01	Bean Saver Brush	2
LANBS6FD02-03	Brush Holder - Backing	2
LANBS6FD02-04	Brush Holder - Top	2
LANBSBH	Brush Mounting Hardware	2
LANFXG26	5/16-18 x 3/4" Carriage Bolt	7
REDKRJ8	5/16-18 Top Lock Nut	7
LANFB305	3/8" x 1.25" Gr 5 Hex Bolt	4
LAN18000	3/8" Flat Washer	8
REDODTT	3/8" Top Lock Nut	4
LANPRVW	1/4"-20 x 3/4" Self-Tapping Flanged Hex Bolt	8
REDWU51	1/4" Flat Washer	8

Pictorial Parts List

 <p>LANBSMC13A (1)</p>	 <p>LANBSMC13B (1)</p>	 <p>LANBS6FD01 (2)</p>	 <p>LANFB350 (4)</p>
 <p>LANBS6FD02-03 (2)</p>	 <p>LANBS6FD02-04 (2)</p>	 <p>LANPRVW (8)</p>	 <p>LAN18000 (8)</p>
 <p>LANFXG26 (14)</p>	 <p>REDKRJ8 (14)</p>	 <p>REDWU51 (8)</p>	 <p>RED0DTT (4)</p>

Preparation

1. Attach desired header to the combine. Lock the head to the combine.
2. Lower the head to the ground, raise and extend the reel as far up and forward as possible.
3. Set the parking brake on the combine.
4. Turn off the combine engine and remove the key.

Kit Installation

Refer to Figures 1 & 2

1. Remove the plastic shrouds on both sides that cover the leveling system and the white rod that locks the reel up. Set them aside for reinstall later.
2. Mount the left bracket (LANBSMC13A) to the 1/2" hole in the central reel base plate with the included 3/8" hardware. Do not tighten.



Figure 1



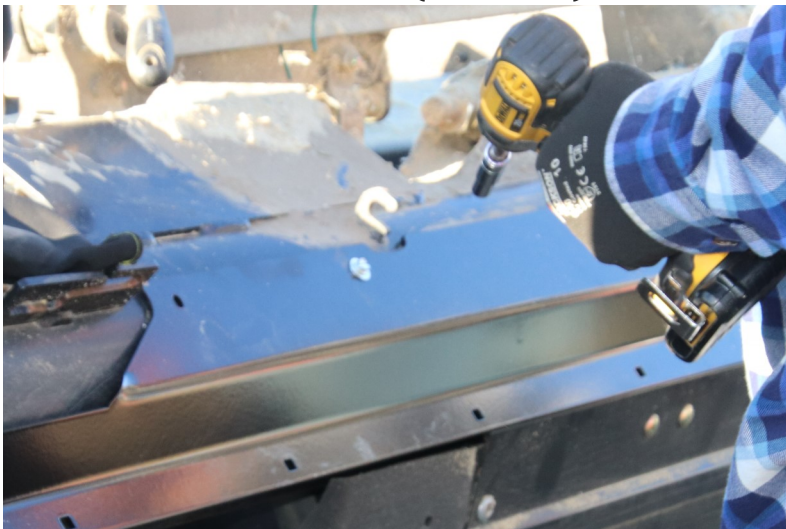
Figure 2

Kit Installation



Figure 3

Figure 4



Refer to Figures 3—5

3. Hold the bracket level and mark one of the top four 1/4" holes on the 8" round frame tube.
4. Let the bracket sag down and drill the marked location with a 7/32" drill bit.
5. Lift the bracket and attach with a 1/4" self-tapping bolt (LANPRVW) and washer (REDWU51) through the drilled hole and tighten
6. Tighten the 3/8" hardware (bolt, washer and top lock nut) from earlier.
7. Drill out the three remaining 1/4" holes with the 7/32" bit and fill with three sets of a self-tapping bolt and washer.

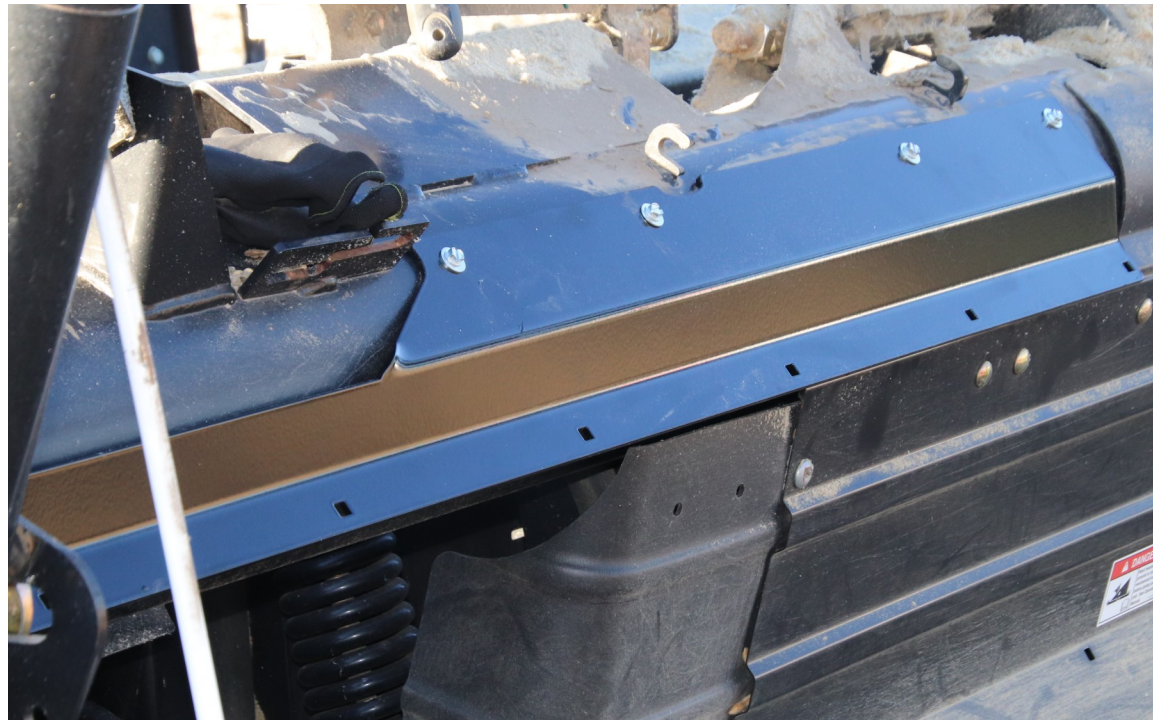


Figure 5

Kit Installation

Refer to Figures 6 & 7

8. Drill out the central reel frame with a 13/32" drill bit through the bracket as shown.
9. Install another set of 3/8" hardware and tighten.

Figure 6



Figure 7



Kit Installation

Refer to Figures 8—10

10. Using the hardware in the LANBSBH bags, install the brush holders (LANBS6FD02-03 & 02-04). They can go on the top or bottom of the bracket. Do not tighten.
11. Slide a brush into the holders.
12. While pushing the brush up into the holders, tighten the carriage bolts and top lock nuts.
13. Repeat steps 2 - 11 on the right side.
14. Reinstall the white locking rod and plastic shrouds.

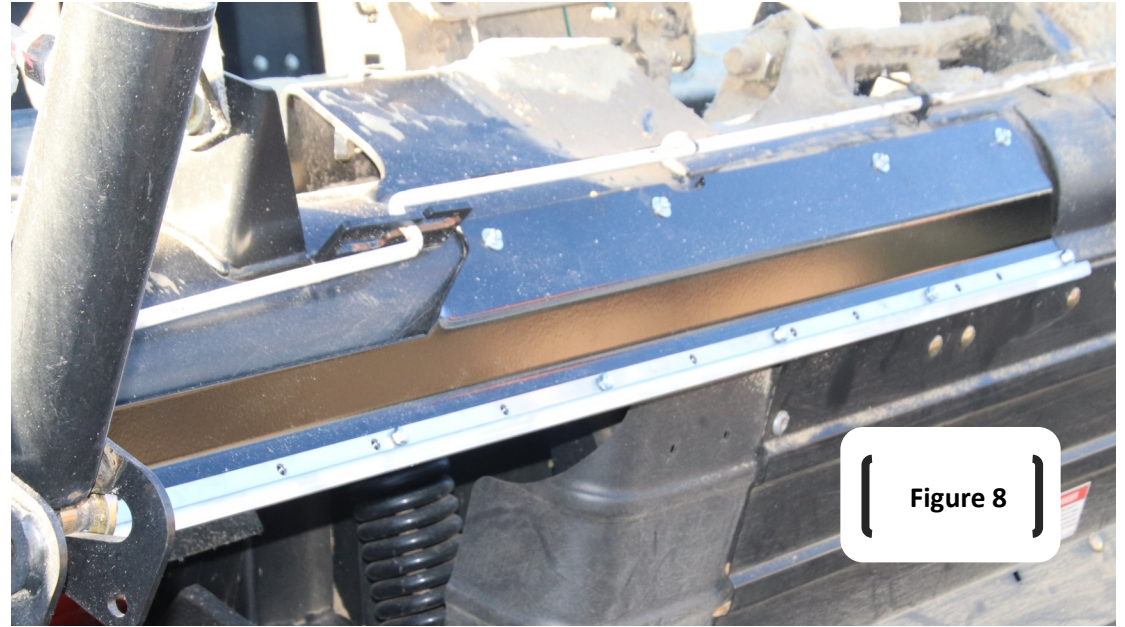


Figure 8

Figure 10

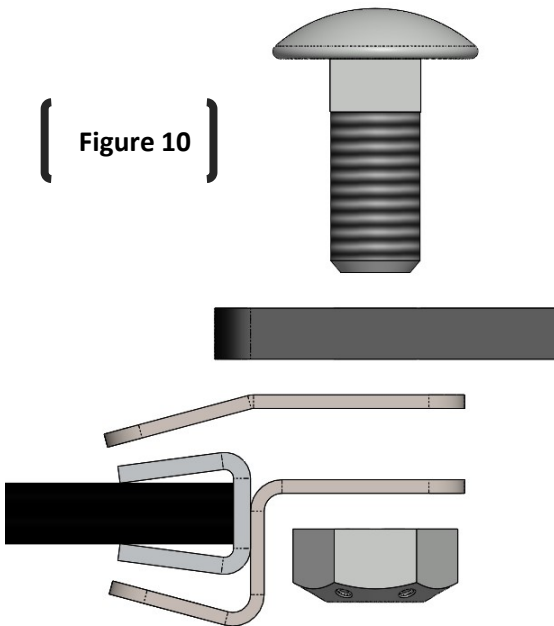


Figure 9





For further technical assistance,

Call Lankota Inc. at:

1-866-526-5682