

LANCTW24582

Installation Instructions

Lankota Trailer Wiring Kit for 70 & S Combines with 8 Foot Lankota Hitch

LANKOTA®

**270 West Park Avenue
Huron, SD 57350
866-526-5682**

Parts

Part Number	Description	Qty
LANCTW330	Combine to Trailer Plug Harness	1
LANCNK10110072EX	6 foot 7-Way extension cable	1
LANPLK11893	7-way Socket Body	1
LANCTW025	Combine Hitch Wiring Bracket	1
LANCTW177	Wiring Harness Shield (70 & S Series)	1
LAN506K	1/2"-13 x 1-1/2" Carriage Head Bolt	2
LANFNXC1	1/2"-13 Flanged Nylon Lock Nut	2
LANF0B1Z	#10-24 X 3/4" Phillips Pan Head Machine Screw	4
LANF0DNU	#10-24 Nylon Lock Nut	4
LANFH599K	M20 Flange Head Center Lock Nut	2
REDVTG5	24" Cable Tie	4

Parts

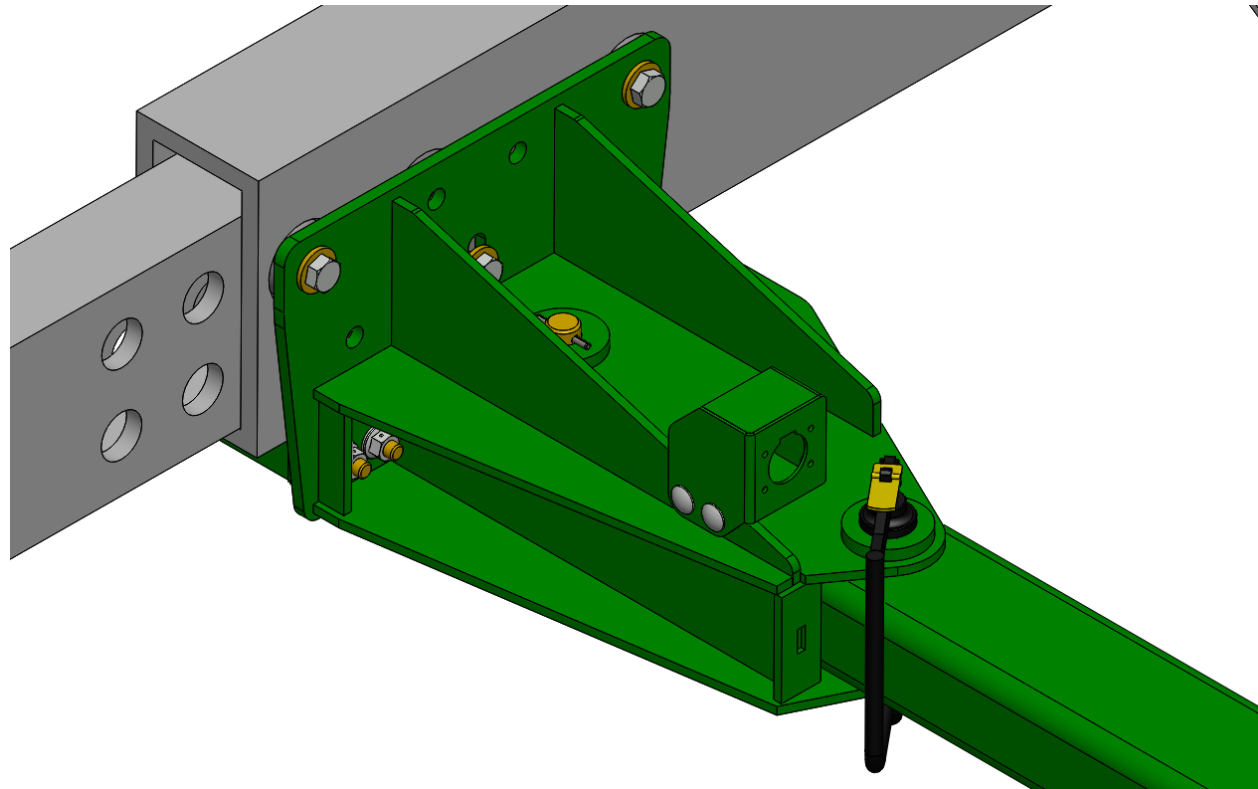
 <p>LANCTW330 (1)</p>	 <p>LANCNK10110072EX (1)</p>	 <p>LANCTW025 (1)</p>	 <p>LAN506K (2)</p>
 <p>LANFNXC1 (2)</p>	 <p>LANFOB1Z (4)</p>	 <p>LANFODNU (4)</p>	 <p>REDVTG5 (4)</p>
 <p>LANPLK11893 (1)</p>	 <p>LANCTW177 (1)</p>	 <p>LANFH599K (2)</p>	

Installation

Refer to Figure 1

1. Attach the Combine Hitch Wiring Bracket (LANCTW025) to the base of the hitch using the provided 1/2"-13 x 1-1/2" Carriage Bolts and 1/2"-13 Flanged Nylon Lock Nuts (LAN506K & LANFNXC1)

Figure 1

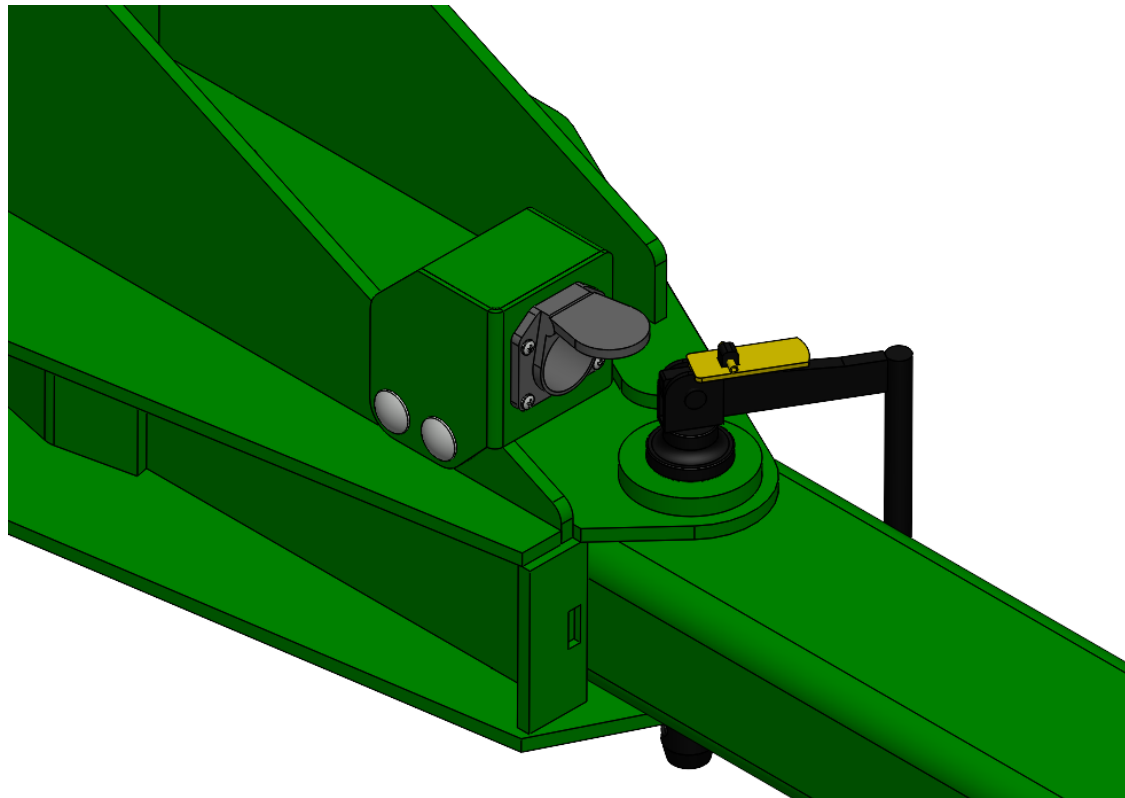


Installation

Refer to Figure 2

2. Install the 7-way Socket Body (LANPLK11893) into the Combine Hitch Wiring Bracket (LANCTW025) using four machine screws (LANF0B1Z) and Nylon Lock Nuts (LANF0DNU). Tighten all hardware.

Figure 2



Installation

WIRING HARNESS FOR 70 SERIES COMBINES

Refer To Figure 3.1

3. On left side of combine, open rear metal meshed shield exposing wiring harnesses as shown in Figure 3.1.
4. Remove dust cover from harness circled by the **RED CIRCLE** in Figure 3.1. Attach Wiring Harness (LANCTW330) to factory connector.

WIRING HARNESS FOR "S" SERIES COMBINES

Refer To Figures 3.2, 3.3 & 3.4

3. On left side of combine, open metal meshed shield in front of battery box exposing wiring harnesses as shown in Figure 3.2.
4. Remove dust cover from harness circled by the **RED CIRCLE** in Figure 3.4. Attach Wiring Harness (LANCTW330) to factory connector.

Figure 3.1

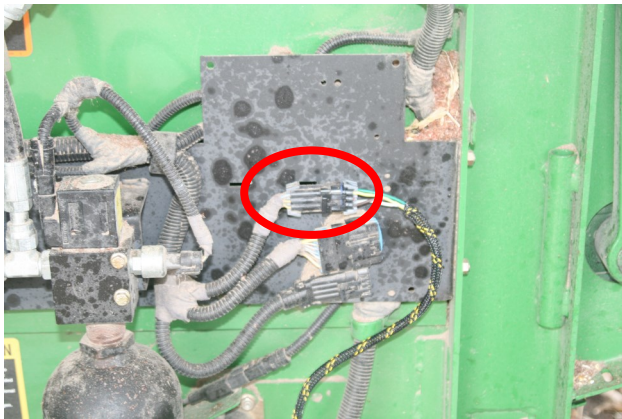


Figure 3.2



Figure 3.3

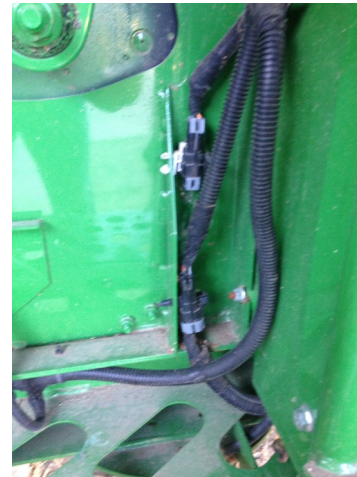


Figure 3.4



Installation

Refer to Figures 4 through 6

5. Attach the Combine to Trailer Plug Harness (LANCTW330) to the back of the 7-way Socket Body.
6. Route wiring harness as shown.

Figure 4

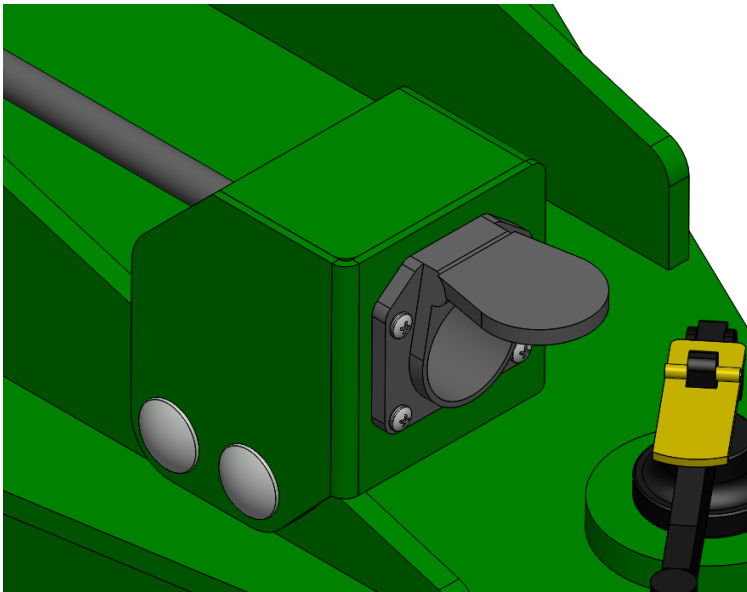


Figure 5



Figure 6



Installation

Refer to Figures 7

7. Install Wiring Harness Shield (LANCTW177) using two M20 Flange Head Center Lock Nuts (LANFH599K). Tighten all hardware.

Figure 7

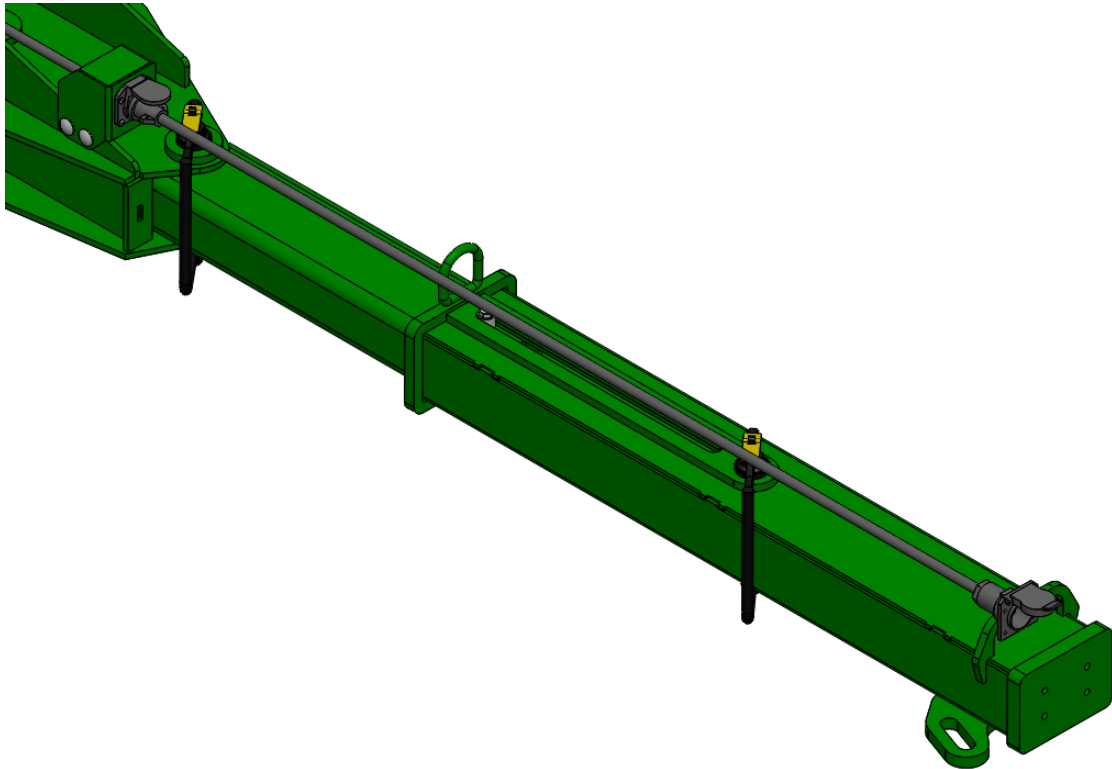


Installation

Refer to Figure 8

8. Plug the Combine Trailer Wiring Extension (LANCNK10110072EX) into the 7-way Socket Body and run it to the end of the hitch. The harness can be secured by running through the pin handles and welded on D ring.

Figure 8



For further technical assistance,

Call Lankota Inc. at:

1-866-526-5682