

# **LANSRCATMT8**

## **Installation Instructions**

**Lankota Stalk Roller Kit for Caterpillar MT800 Series Track Tractors**

# **LANKOTA<sup>®</sup>**

**270 West Park Avenue  
Huron, SD 57350  
866-526-5682**

# Numerical Parts List

<b>Part Numbers</b>	<b>Description</b>	<b>Qty</b>
LANSR041	CAT MT800 Stalk Roller Brace Bar	1
LANSR042	CAT MT800 Stalk Roller Mount	1
LANSR043	CAT MT800 Stalk Roller Mount	1
LANSR003BLK	FWA Stalk Roller Assembly	2
LANSR006BLK	FWA Stalk Roller Wing Frame	1
LANSR007BLK	FWA Stalk Roller Wing Frame	1
LANSR008	FWA Stalk Roller Wing Pin	2
LANW250100-S	Hydraulic Cylinder for Stalk Rollers	2
LANSS704	Stalk Stomper Pin Assembly - Bent Pin	2
LANSKA-1	1" Cylinder Stroke Control	4
<b>LANSRCATMT8BH</b>	<b>Box of Hardware</b>	<b>1</b>
LANSR044	M24 Stalk Roller Spacer/Washer	6
LANSR009	FWA Stalk Roller Plastic Washer	4
LANFM8N7	M20 x 140, Gr 10.9 Hex Bolt	6
LANFMLW0	M20 Lock Washer	6
LANF-FW-M20	M20 Flat Washer	6
LANF1T2S	M24 x 60, Gr 10.9	8
LANFOFC4	M24 Lock Washer	8
LANFWS50	1" SAE Flat Washer	8
RED708K	5/8" x 2 Carriage Bolt	6
LAN690830	5/8" Serrated Flange Nut	22
LAN079UBOLT	U-Bolt, 5/8"-11 x 6.5"	8
LANFWS55	1/2" SAE Flat Washer	2
LANFC507	1/2" x 1.75, Gr 8 Hex Bolt	2
RED1F30	1/2" Top Lock Nut	2
LAN44302	Zip Tie, 11"	12

# Numerical Parts List (Continued)

Part Numbers	Description	Qty
<b>LANSRJD8RHK</b>	<b>Stalk Roller Hose Kit</b>	<b>1</b>
-----	26' (312") x 3/8" Hydraulic Hose, JIC 6F	2
-----	28" x 3/8" Hydraulic Hose, JIC 6F	2
-----	40" x 3/8" Hydraulic Hose, JIC 6F	2
-----	52" x 3/8" Hydraulic Hose, JIC 6F	2
-----	64" x 3/8" Hydraulic Hose, JIC 6F	2
-----	1/32" Orifice Male to Female Adapter	2
6400-06-06	9/16" Male JIC to 9/16" Male ORB	2
2603-06-06-06	9/16" Male JIC Tee	2
DINB12-F-08N	1/2" Female NPT Quick Coupler	2
5601-08-08-08	1/2" Female NPT to 1/2" Male NPT Tee	2
DINB12-MS-08N	1/2" NPT Male Coupling	2
2404-06-08	9/16" Male JIC to 1/2" Male NPT	2
6801-06-06	9/16" Male JIC to 9/16" Male ORB 90 Deg	4
<b>LANSRHRTBH</b>	<b>Bag of Hardware Includes:</b>	<b>1</b>
LAN25162	Double 1" Hose Clamp with Cushion	2
REDB204	Hex Head Cap Screw—5/16"-18 x 1.00", gr. 5	2
LANFWS52	5/16" SAE Flat Washer	2
LAN1616	Nyloc Nut - 5/16"-18, gr. 5	2
LAN44302	11" Zip Tie	12

# Pictorial Parts List

 <p>LANSR041 (1)</p>		 <p>LANSR042 (1)</p>		 <p>LANSR043 (1)</p>	
 <p>LANSR044 (6)</p>	 <p>LANSR003BLK (2)</p>	 <p>LANSR006BLK (1)</p>	 <p>LANSR007BLK (1)</p>	 <p>LANSR008 (2)</p>	 <p>LANSR009 (4)</p>
 <p>LAN079UBOLT (8)</p>	 <p>LANW250100-S (2)</p>	 <p>LANSS704 (2)</p>	 <p>LANSCA-1 (4)</p>	 <p>LANFM8N7 (6)</p>	 <p>LANFWLW0 (6)</p>
 <p>LANF-FW-M20 (6)</p>	 <p>LANF1T2S (8)</p>	 <p>LANF0FC4 (8)</p>	 <p>LANFWS50 (8)</p>	 <p>RED708K (6)</p>	 <p>LAN690830 (22)</p>

## Pictorial Parts List (Continued)

 LAN44302 (24)	 LANFWS55 (2)	 LANFC507 (2)	 RED1F30 (2)
 LAN25162 (2)	 REDB204 (2)	 LANFWS52 (2)	 LAN1616 (2)

## Disclaimer

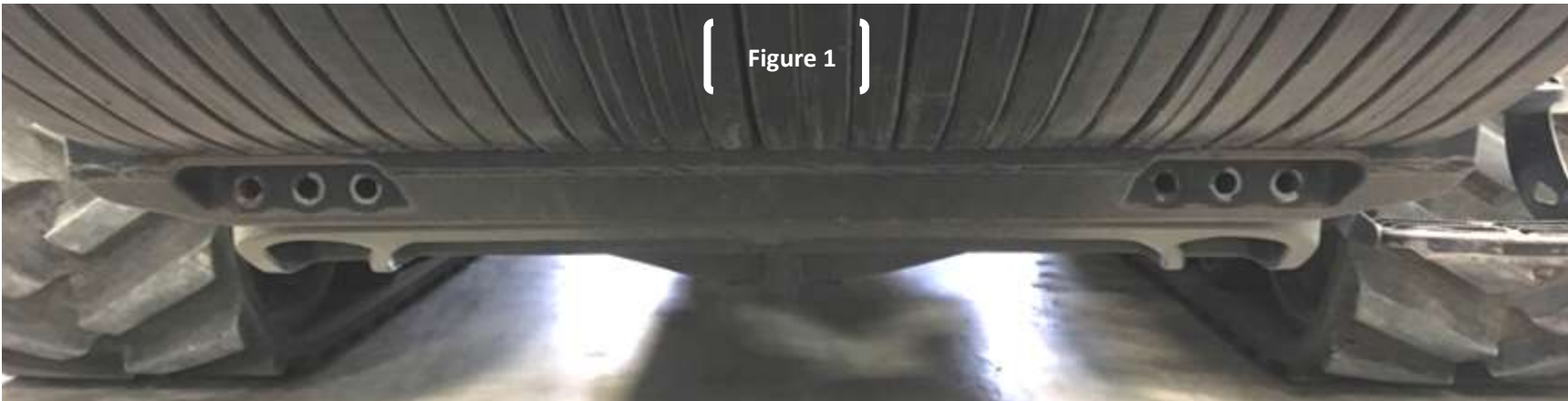
This kit from LANKOTA adds 1300 lbs. to the front of a tractor. Never exceed manufacturer's specified load limit on the front of a tractor! This may mean that weights may need to be removed from the tractor to install this kit.

**WARNING:** After completing installation, be careful around the wings the first dozen or so times they are folded/unfolded. The process of purging the air from the hoses can cause the wings to jerk up and down dangerously and unexpectedly.

# Kit Installation

## Refer to Figures 1 & 2

1. Remove the bottom 6 bolts from the weight bracket.
2. Hang the brace bar to the weight bracket (6) M20 x 140mm hex bolts (LANFM8N7), M20 lock washers (LANFMLW0) and M20 flat washers (LANF-FW-M20).
3. Put the (6) M24 spacers (LANSR044) behind the brace bar to fill in the circular depressions.
4. Snug the bolts, but do not tighten.



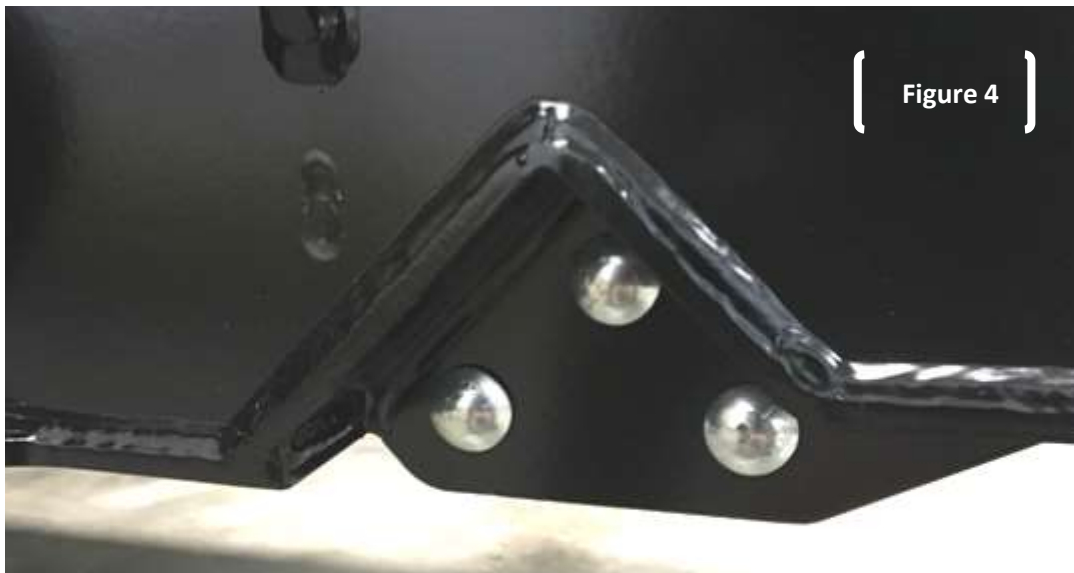
# Kit Installation

## Refer to Figure 3

5. Attach the stalk roller mounts (LANSR042 & LANSR043) to the sides of the tractor. Use (4) M24 x 60mm hex bolts (LANF1T2S), M24 lock washers (LANF0FC4) and 1" SAE flat washers (LANFWS50) on each side.
6. Do not tighten, only snug them.

## Refer to Figures 4 & 5

7. Install three 5/8" x 2" carriage bolts through the stalk roller mounts and into the brace bar.
8. Fasten them with 5/8" serrated flange nuts (LAN690830).
9. Tighten all the hardware in the order it was installed.



# Kit Installation

## Refer to Figures 6 & 7

10. Attach the stalk roller wings (LANSR006BLK & LANSR007BLK) to the mounts with the pivot pin (LANSR008) and two plastic washers (LANSR009) each.
11. Secure the pins in place with 1/2" x 1.75" hex bolts, 1/2" SAE washers and 1/2" top lock nuts.
12. Grease the wings.



Figure 7

Figure 6



# Kit Installation

## Refer to Figures 8 & 9

13. Install the cylinders (LANW250100-S) using the pins that come with them.
14. Ensure that both ends have a port that is facing toward the rear of the tractor, the rod end is attached to the wings and the clevis bolt is oriented upward.
15. When the cylinder is completely extended, the wing frame should be parallel to the ground. Adjust it by screwing the clevis in/out of the rod.
16. If the chains on the roller assemblies are not in the 2nd hole from the top, it is likely they will need to be moved. This can be done now or later when the kit is completed. Simply relieve the chain of tension and move carriage bolt.

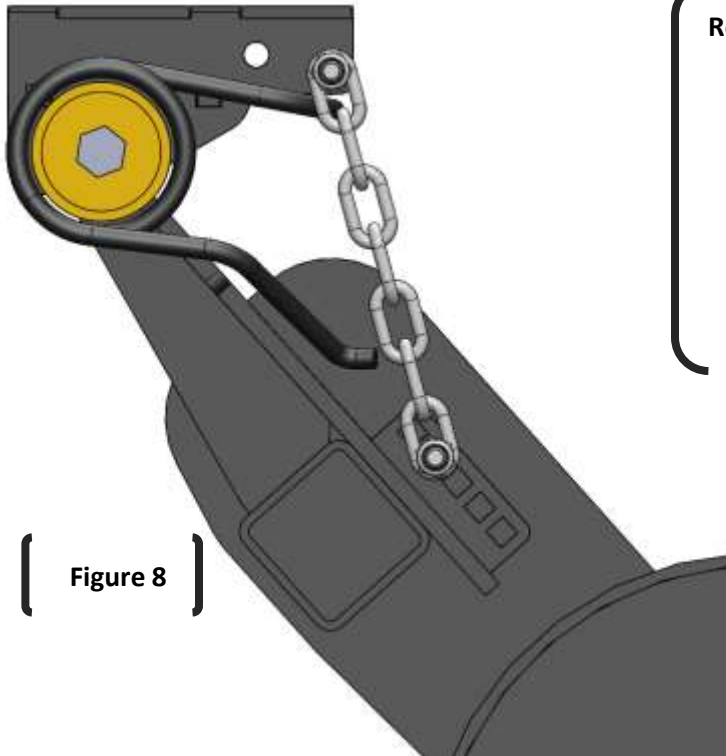


Figure 8



Figure 9

# Kit Installation

## Refer to Figures 10 & 11

19. Hang the roller assemblies from the wings using the U-bolts and remaining flange nuts in the LANSSTFMBH boxes.
20. Slide the roller in or out to cover the track.
21. Make sure that the inner end of the roller is in-line with or outside the hinge pin as shown. (The further out it is the better it will unfold.)



Figure 10

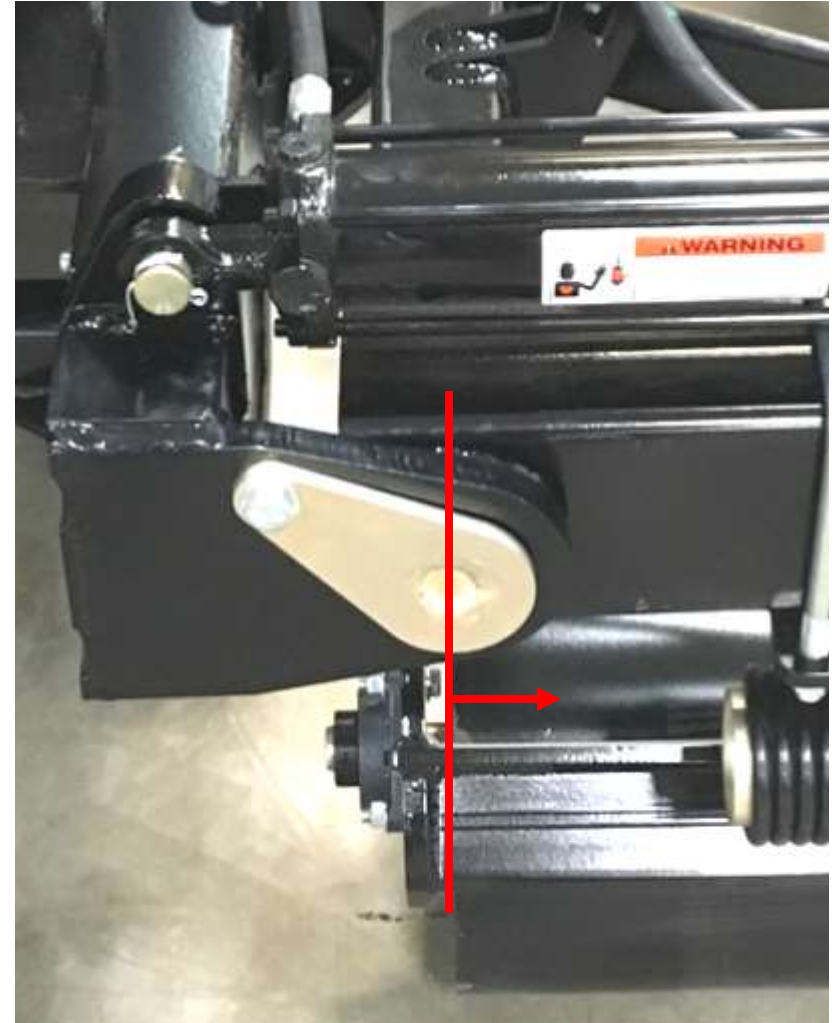
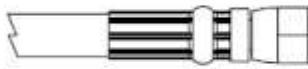


Figure 11

# Hydraulic Installation

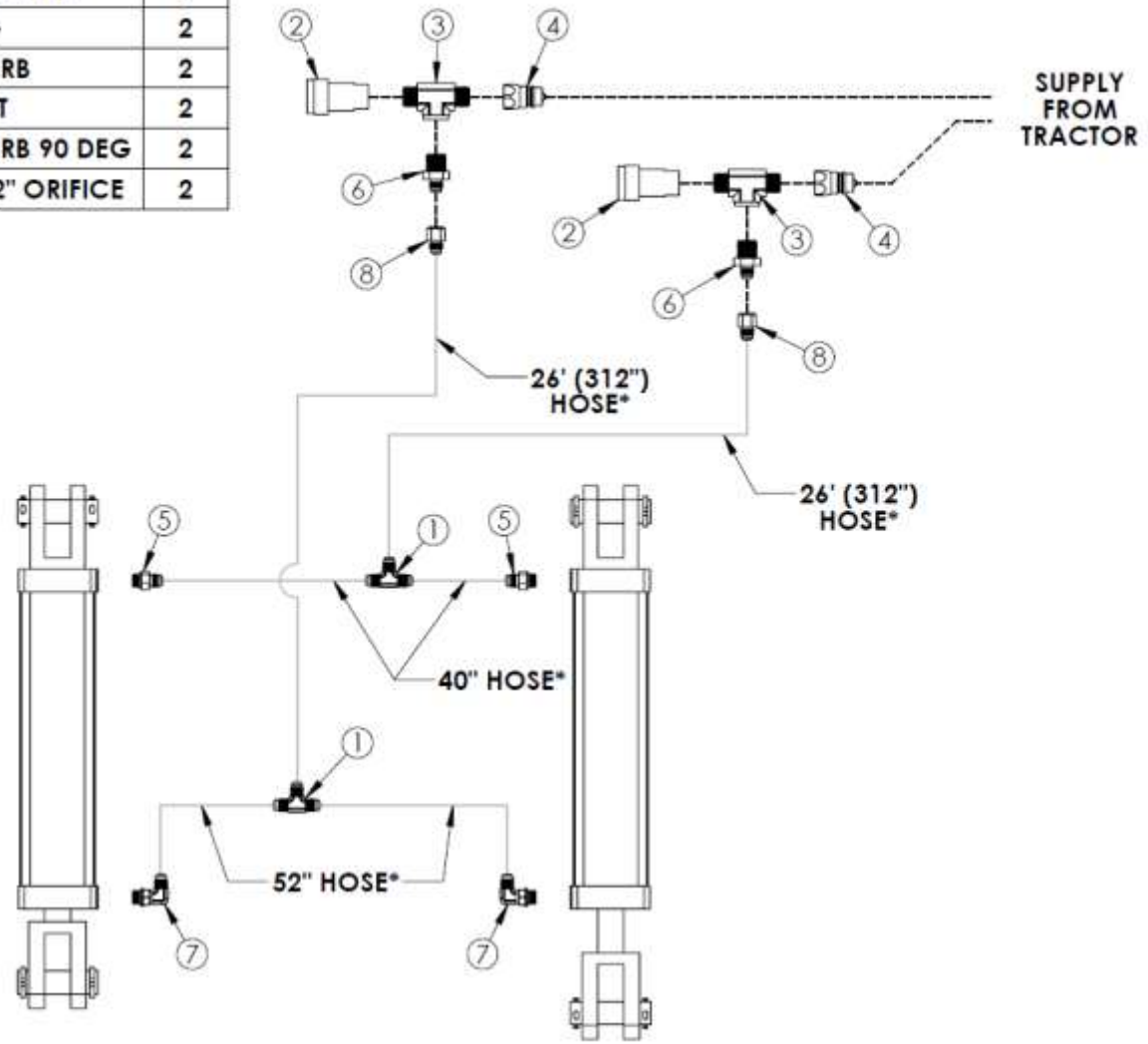
ITEM NO.	DESCRIPTION	QTY.
1	9/16" MALE JIC TEE	2
2	1/2" FEMALE NPT QUICK COUPLER	2
3	1/2" FEMALE NPT TO 1/2" MALE NPT TEE	2
4	1/2" NPT MALE NIPPLE COUPLING	2
5	9/16" MALE JIC TO 9/16" MALE ORB	2
6	9/16" MALE JIC TO 1/2" MALE NPT	2
7	9/16" MALE JIC TO 9/16" MALE ORB 90 DEG	2
8	9/16" JIC MALE TO FEMALE - 1/32" ORIFICE	2

\* 3/8" Diameter Hoses



Every hose end is crimped with a straight swivel flange fitting.

## LANSRCATMT8 - Hydraulic Schematic



# Hydraulic Installation

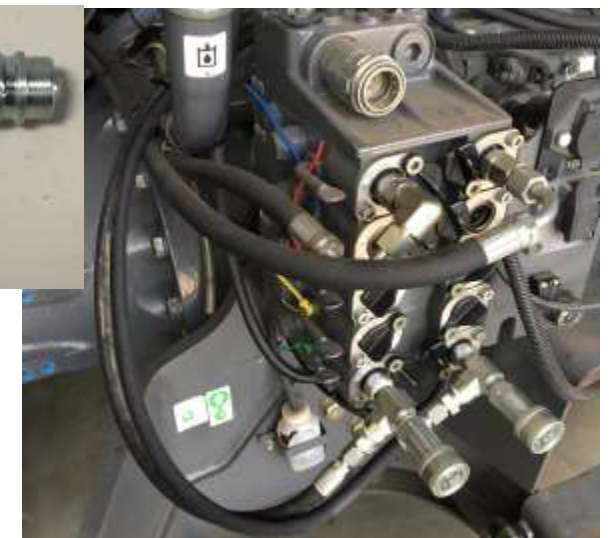
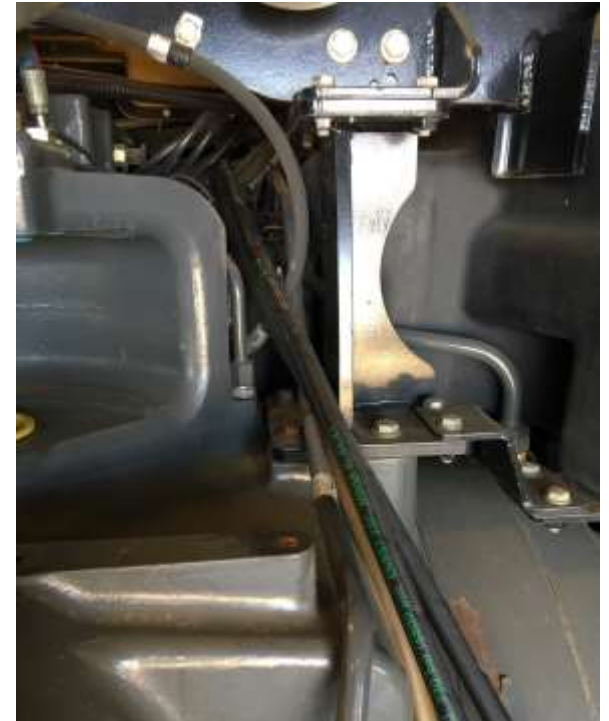


## Refer to Figures 12 - 20

22. Install the hydraulic fittings, found in the hose kit, into the cylinders as shown.
23. Use the 40" and 52" hoses to plumb the cylinders together.
24. Connect the 26' hoses and run them through the tractor as displayed in the figures.
25. Two orifices are included and should be used to slow down the hydraulic fluid, if needed.
26. Constrain the hoses with the provided zip ties.



# Hydraulic Installation



# Storage

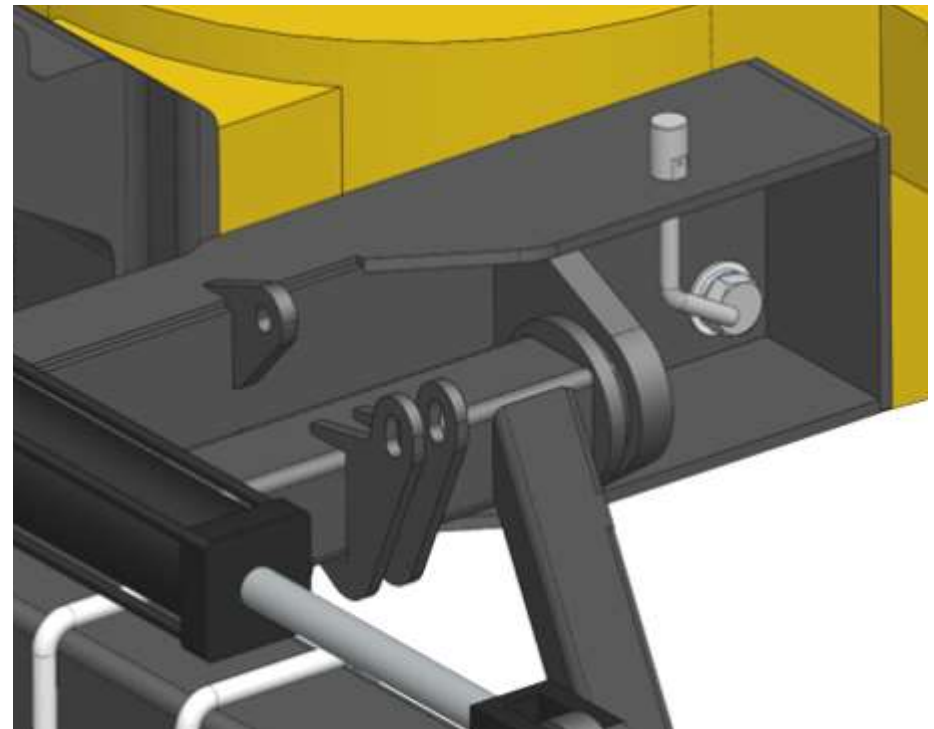
## Refer to Figures 21 & 22

25. 1/2" bent pins (LANSS704) are included in this kit to hold each wing up when storing to prevent the cylinders from settling.
26. To use the pins, push and twist 90 degrees.
27. Use the 1/2" hole in the brackets to store the pins when in use.

Figure 21  
Stored



Figure 22  
In Use



# Headlight Clearance Consideration

Refer to Figures A, B & C

If additional light clearance is required, install cylinder stops (LANSCA-1) as necessary (one or two) on each cylinder to hold the roller arms away from the lights.

**Note: The cylinder stops will need to be removed in order to utilize the storage pin position (See Figure C).**



Figure A

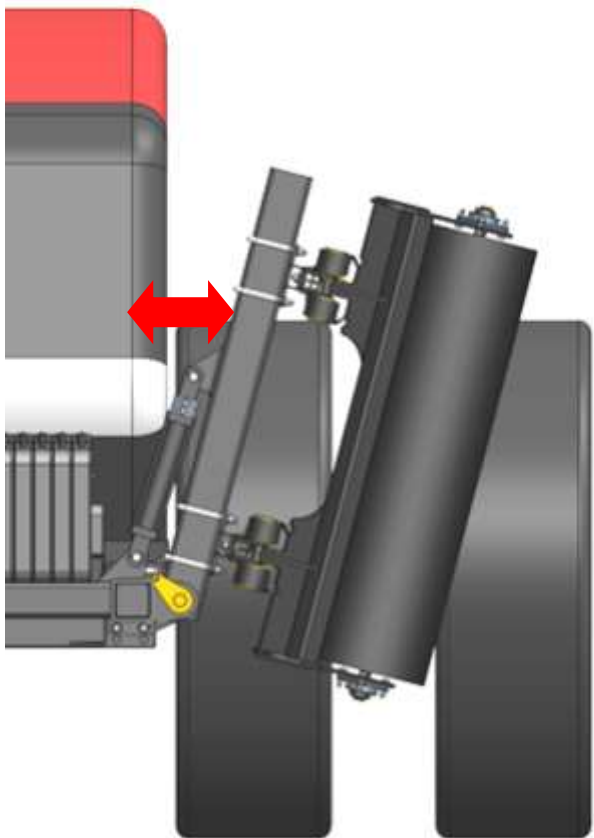


Figure B

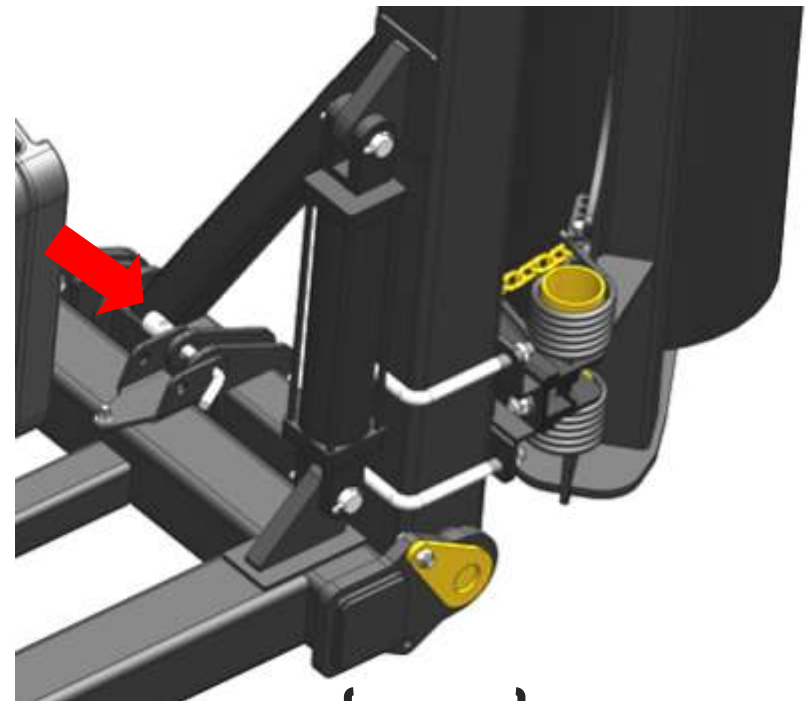


Figure C



**For further technical assistance,**

**Call Lankota Inc. at:**

**1-866-526-5682**