

# **LANFLAG21382**

## **Installation Instructions**

**Lankota Flag Pole Universal Mount Kit for Handrails ranging from 1.00" to 1.375" Diameter Tube**

# **LANKOTA®**

**270 West Park Avenue  
Huron, SD 57350  
866-526-5682**

# Parts

| <b>Part Number</b> | <b>Description</b>                  | <b>Qty</b> |
|--------------------|-------------------------------------|------------|
| LAN2138201         | Handrail Flag Mount                 | 1          |
| LAN2138202         | Handrail Flag Mount Pivot Plate     | 1          |
| LAN2138203         | Handrail Flag Mount Clamp Plate     | 1          |
| LANFLAG03D-01      | Flag Pole—Drilled—2.5' Bottom Piece | 1          |
| LANFLAG03D-02      | Flag Pole—Drilled—2.5' Top Piece    | 1          |
| LANFLAG04          | Flag Pole Rotating Rings (Pair)     | 1          |
| LANFLAG07          | Flag Pole Connection Tube           | 1          |
| RED305K            | 3/8"-16 X 1-1/4" Carriage Bolt      | 4          |
| LANFNW7G           | 3/8"-16 Flanged Nylon Lock Nut      | 4          |
| LANEJRN            | 1/4"-20 Flanged Nylon Lock Nut      | 4          |
| LAN1101            | 3/16" x 1-1/2" Lynch Pin            | 1          |
| LAN97526A140       | 3/16" Domed Rivet—For 1/4" Material | 4          |

# Parts

|  |   |   |  |
|--|---|---|--|
|  <p>LAN2138201 (1)</p>    |  <p>LAN2138202 (1)</p> |  <p>LAN2138203 (1)</p>     |  <p>LANFLAG03D-01 (1)</p> |
|  <p>LANFLAG03D-02 (1)</p> |  <p>LANFLAG07 (1)</p>  |  <p>LANFLAG04 (1 PAIR)</p> |  <p>RED305K (4)</p>       |
|  <p>LANFNW7G (4)</p>     |  <p>LANEJRN (4)</p>   |  <p>LAN1101 (1)</p>       |  <p>LAN97526A140 (4)</p> |

# Installation

**NOTE: One portion of the flag pole has two sets of holes - this one is the BOTTOM (LANFLAG03D-01).**

***Refer to Figures A & B***

1. Place the flag pole connection tube (LANFLAG07) inside the bottom flag pole section (LANFLAG03D-01) and attach with two rivets (LAN97526A140) using the holes that are 2.5" in from one end of the flag pole section.
2. Slide the top flag pole section (LANFLAG03D-02) over the connection tube and attach with two rivets.

Figure A

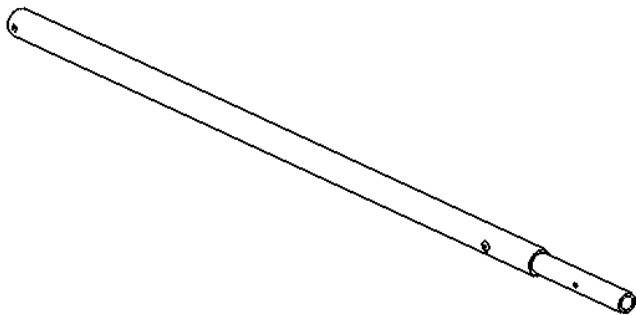
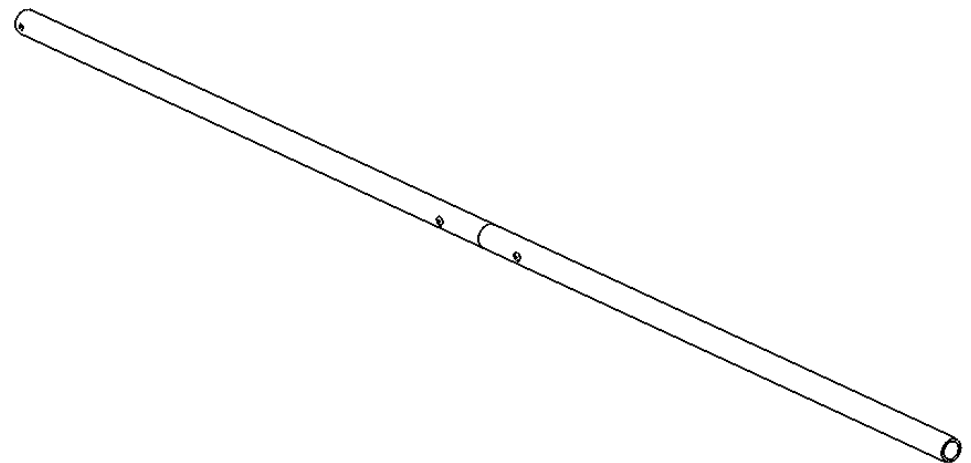


Figure B



# Installation

**NOTE:** There is a hole drilled through one end of the flag pole. This end is the **BOTTOM**.

*Refer to Figures 1 & 2*

1. Measure the height of your flag. Then install one flag rotating ring onto the flagpole that distance from the top with the rotating ring **TOWARD THE TOP**.
2. Tighten the large set screw to hold the flag mount in place.
3. Loosen the small set screw and unscrew the retaining ring until it lines up with the large set screw. This will provide enough clearance for the rings to properly rotate. Tighten the small set screw.



Figure 1



Figure 2

# Installation

**NOTE:** There is a hole drilled through one end of the flag pole. This end is the **BOTTOM**.

***Refer to Figures 3 & 4***

4. Next, install one flag rotating ring onto the top of the flagpole with the rotating ring **TOWARD THE BOTTOM**.
5. Tighten the large set screw to hold the flag mount in place.
6. Loosen the small set screw and unscrew the retaining ring until it lines up with the large set screw. This will provide enough clearance for the rings to properly rotate. Tighten the small set screw.
7. Attach the carabiners to the rotating rings.



Figure 3



Figure 4

# Installation

## Refer to Figures 5A & 5B

- Place the handrail pivot plate (LAN2138202) and clamp plate (LAN2138203) around a handrail in your desired location. The handrail tube that you clamp to can be horizontal OR vertical. Tighten using (4) of the 3/8"-16 X 1-1/4" Carriage Bolts (RED305K) and (4) 3/8"-16 Flanged Nylon Lock Nuts (LANFNW7G)

## Refer to Figure 6

- Attach the flag mount (LAN2138201) to the pivot plate at the desired angle using the remaining 1/4"-20 Flanged Nylon Lock Nuts (LANEJRN). The flag mount can be positioned as desired at 45 degree increments. Make sure the welded round tube is on the bottom side when in position.

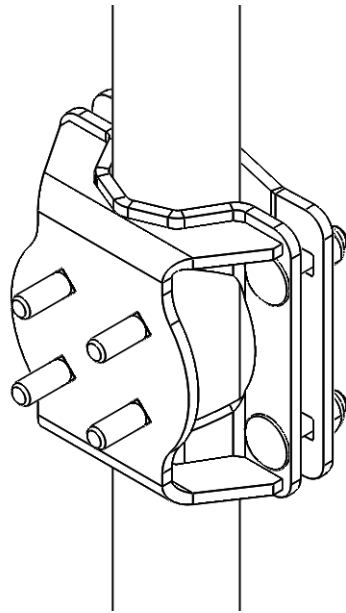


Figure 5A

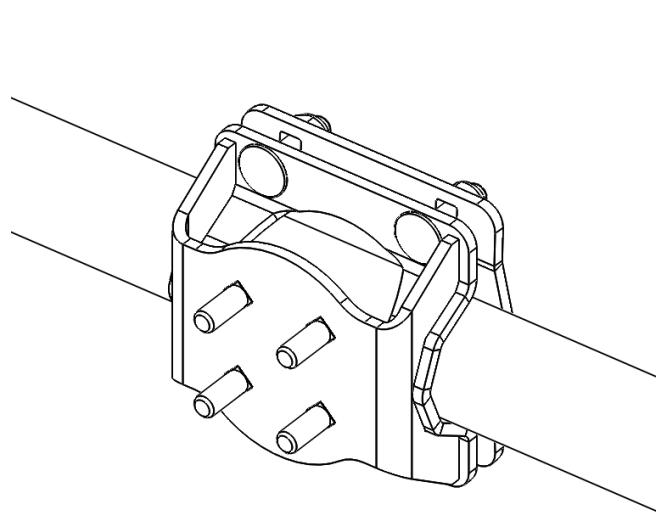


Figure 5B

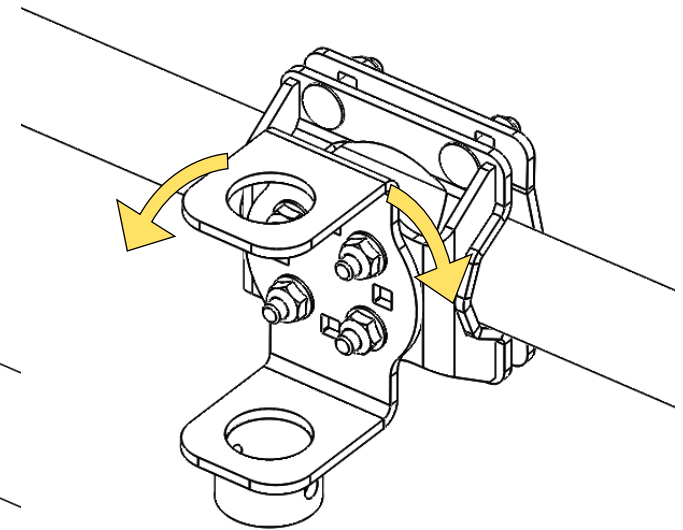


Figure 6

**Refer to Figure 7**

10. Slip the flag pole into the mount. Retain with the included lynch pin (LAN1101).

**Figure 7**



**For further technical assistance, call Lankota Inc. at:**

**1-866-526-5682**