

# **LANSRJD9RT12**

## **Installation Instructions**

**Lankota Stalk Roller Kit for JD® 9XXXRT (2012 - 2014) Series Tracked Tractors**

# **LANKOTA®**

**270 West Park Avenue  
Huron, SD 57350  
866-526-5682**

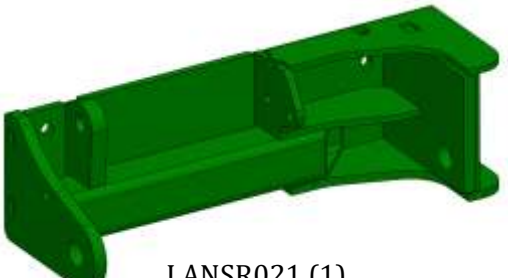




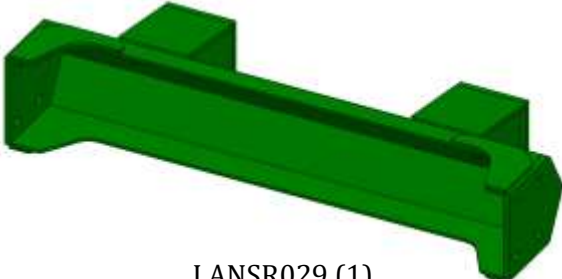
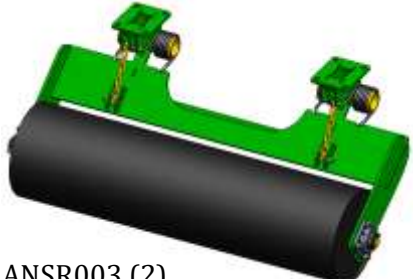






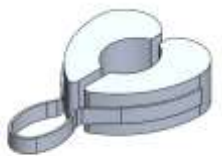




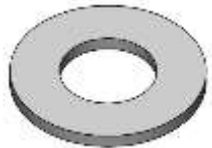
# Numerical Parts List

<b>Part Numbers</b>	<b>Description</b>	<b>Qty</b>
LANSR021	JD 9RT Stalk Roller Mount	1
LANSR022	JD 9RT Stalk Roller Mount	1
LANSR026	M24 Stalk Roller Spacer/Washer	4
LANSR027	JD 9RT (2014-) Stalk Roller Mount Adapter (Left)	1
LANSR028	JD 9RT (2014-) Stalk Roller Mount Adapter (Right)	1
LANSR029	JD 9RT (2014-) Weight Bracket SR Mount	1
LANSR003	FWA Stalk Roller Assembly	2
LANSR006	FWA Stalk Roller Wing Frame	1
LANSR007	FWA Stalk Roller Wing Frame	1
LANSR008	FWA Stalk Roller Wing Pin	2
LANSR009	FWA Stalk Roller Plastic Washer	4
LANW250100-S	Hydraulic Cylinder for Stalk Rollers	2
LANS704	1/2" Bent Pin with Cap	2
LANSKA-1	1" Cylinder Stroke Control	4
<b>LANSRJD8RHK</b>	<b>Stalk Roller Hose Kit</b>	<b>1</b>
-----	26' (312") x 3/8" Hydraulic Hose, JIC 6F	2
-----	28" x 3/8" Hydraulic Hose, JIC 6F	2
-----	40" x 3/8" Hydraulic Hose, JIC 6F	2
-----	52" x 3/8" Hydraulic Hose, JIC 6F	2
-----	64" x 3/8" Hydraulic Hose, JIC 6F	2
-----	1/32" Orifice JIC Male to Female	2
6400-06-06	9/16" Male JIC to 9/16" Male ORB	2
6801-06-06	9/16" Male JIC to 9/16" Male ORB 90 Deg	4
2603-06-06-06	9/16" Male JIC Tee	2
2404-06-08	9/16" Male JIC to 1/2" Male NPT	2
5601-08-08-08	1/2" Female NPT to 1/2" Male NPT Tee	2
DINB12-F-08N	1/2" Female NPT Quick Coupler	2
DINB12-MS-08N	1/2" NPT Male Coupling	2

# Numerical Parts List Continued

<b>Part Numbers</b>	<b>Description</b>	<b>Qty</b>
<b>LANSRJD9RT12BH</b>	<b>Box of Hardware</b>	<b>1</b>
LANFJ8J6	M24 x 140, Gr 10.9 Hex Bolt	4
LANF-FW-M24	M24 Flat Washer	4
LANF0FC4	M24 Lock Washer	4
LANFM8N7	M20 x 140, Gr 10.9	10
LANF-FW-M20	M20 Flat Washer	10
LANFMLW0	M20 Lock Washer	10
LAN26B00	5/8" x 2" Hex Bolt	8
REDWL57	5/8" Lock Washer	8
LANFWS57	5/8" SAE Flat Washer	8
RED708K	5/8" x 2" Carriage Bolt	8
LAN690830	5/8" Serrated Flange Nut	24
LANFC507	1/2" x 1.75, Gr 8 Hex Bolt	2
LANFWS55	1/2" SAE Flat Washer	2
RED1F30	1/2" Top Lock Nut	2
REDB204	5/16" x 1" Hex Bolt	2
LANFWS52	5/16" SAE Flat Washer	2
LAN1616	5/16" Nyloc Nut	2
LAN25162	Double 1" Hose Clamp with Cushion	2
LAN44302	Zip Tie, 11"	12
LAN079UBOLT	U-Bolt - 5/8"-11 x 6.50"	8

# Pictorial Parts List

 <p>LANSR021 (1)</p>		 <p>LANSR022 (1)</p>		 <p>LANSR026 (4)</p>		
 <p>LANSR027 (1)</p>	 <p>LANSR028 (1)</p>	 <p>LANSR029 (1)</p>		 <p>LANSR003 (2)</p>		
 <p>LANSR008 (2)</p>	 <p>LANSR009 (4)</p>	 <p>LANW250100-S (2)</p>	 <p>LANSS704 (2)</p>	 <p>LANSR006 (1)</p>	 <p>LANSR007 (1)</p>	
 <p>LANSCA-1 (4)</p>	 <p>LANFJ8J6 (4)</p>	 <p>LANF-FW-M24 (4)</p>	 <p>LANF0FC4 (4)</p>	 <p>LANFM8N7 (10)</p>	 <p>LANF-FW-M20 (10)</p>	

## Pictorial Parts List (continued)

					
LANFMLW0 (10)	LAN26B00 (8)	REDWL57 (8)	LANFWS57 (8)	RED708K (8)	LAN690830 (24)
					
LANFC507 (2)	LANFWS55 (2)	RED1F30 (2)	LAN44302 (12)	LAN25162 (2)	LAN079UBOLT (8)
					
	REDB204 (2)	LANFWS52 (2)	LAN1616 (2)		

## Disclaimer

This kit from LANKOTA adds 1300 lbs. to the front of a tractor. Never exceed manufacturer's specified load limit on the front of a tractor! This may mean that weights may need to be removed from the tractor to install this kit.

# Kit Installation

## Refer to Figure 1

1. Tighten the 4 bolts shown on both sides.
2. Remove the outer 2 bolts of each side.

## Refer to Figures 2 & 3

3. Install the brace mount (LANSR029) and four spacer/washers (LANSR026) using four M24 x 140 Hex Bolts (LANFJ8J6), M24 flat washers (LANF-FW-M24) and M24 lock washers (LANF0FC4).
4. Center the mount by eye and tighten.

## Notes:

- The LANSR026 spacers go behind the brace mount and fill in the circular depressions.
- Ensure that the rectangular holes are on top and the slotted holes are on bottom (see Figure 3).
- **Some weights may need to be removed to install LANSR029 (Max # = 20)**



Figure 1

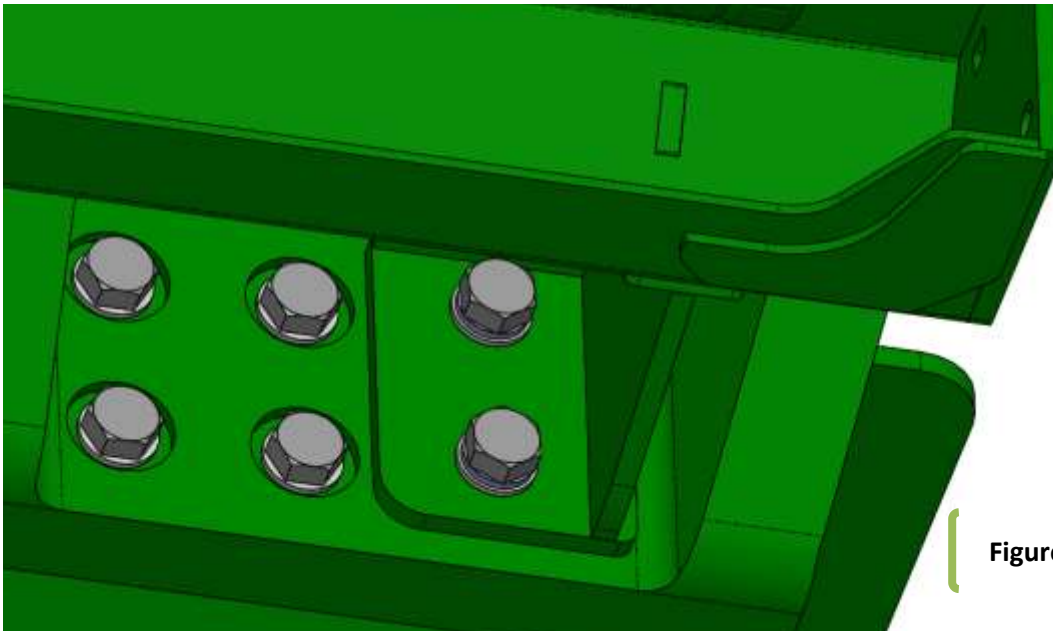


Figure 2

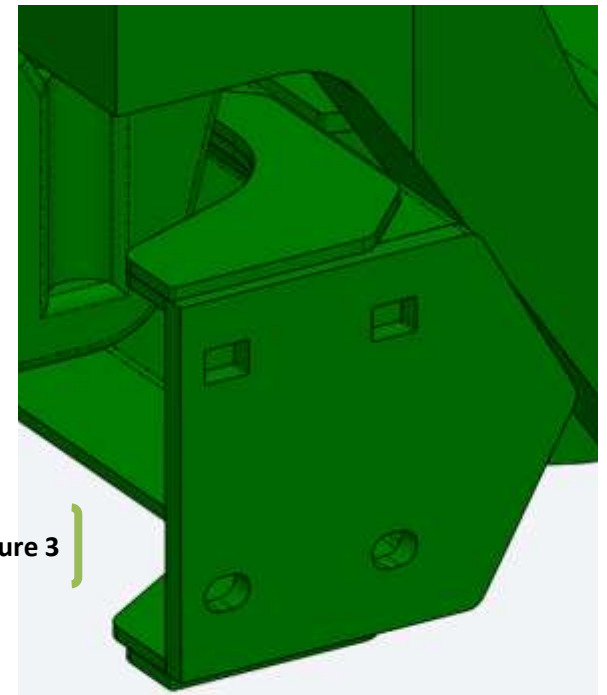


Figure 3



# Kit Installation



Figure 4

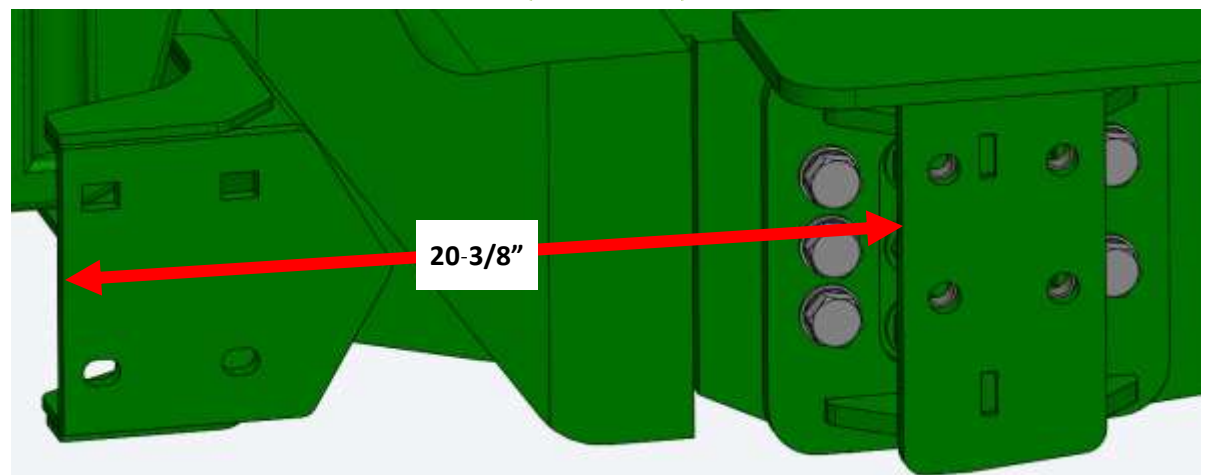
## Refer to Figures 4 - 6

5. On both sides of the frame, tighten the center 6 bolts and remove the outer 5 bolts (as shown).
6. Using (5) M20 x 140 bolt (LANFM8N7), washers (LANFMLW0) and lock washers (LANF-FW-M20), install the mount adapters (LANSP027 & LANSR028) over the newly revealed holes.
7. Measure from the front of the brace mount to the front face of the adapter mounts; slide the adapters as close to 20-3/8" as possible and tighten.



Figure 5

Figure 6



# Kit Installation



Figure 7

## Refer to Figures 7 - 9

8. On the driver side, attach the stalk roller mount (LANSR021) to the adapter (LANSR027) with (4) 5/8" x 2" bolts (LAN26B00), lock washers (REDWL57) and SAE flat washers (LANFWS57). Do not tighten.
9. Attach to the brace mount (LANSR029) with (4) 5/8" x 2" carriage bolts (RED708K) and serrated flange nuts (LAN690830).

**Note: The carriage bolts go in from the outside and the nuts fasten in the brace mount (unlike the pictures below).**

10. When all fasteners are started, tighten them all.
11. Repeat on other side with LANSR022.

Figure 8

Figure 9





# Kit Installation

## Refer to Figures 10 & 11

- Using the pivot pins (LANSR008), attach the wings (LANSR006 & LANSR007) to the mounts (LANSR021 & LANSR022) respectively.
- Install a plastic washer (LANSR009) on each side of each wing.
- Retain the pivot pins with the 1/2" x 1.75 Gr 8 bolts (LANFC507), SAE washers (LANFWS55) and top lock nuts (RED1F30).
- Grease the wings from the installed zerks. Paint may need to be removed.



Figure 10



Figure 11

# Kit Installation

## Refer to Figures 12 & 13

16. Install the hydraulic cylinders using the included hardware.
17. Install hydraulic fittings and a hose, found in the hose kit, as shown to keep any oil contained.
18. Extend the cylinder completely and connect to the wing.
19. Loosen the hardware of the clevis, then use a level and level the arm by turning the rod of the cylinder.
20. Retighten the hardware.



Figure 12



Figure 13

# Kit Installation

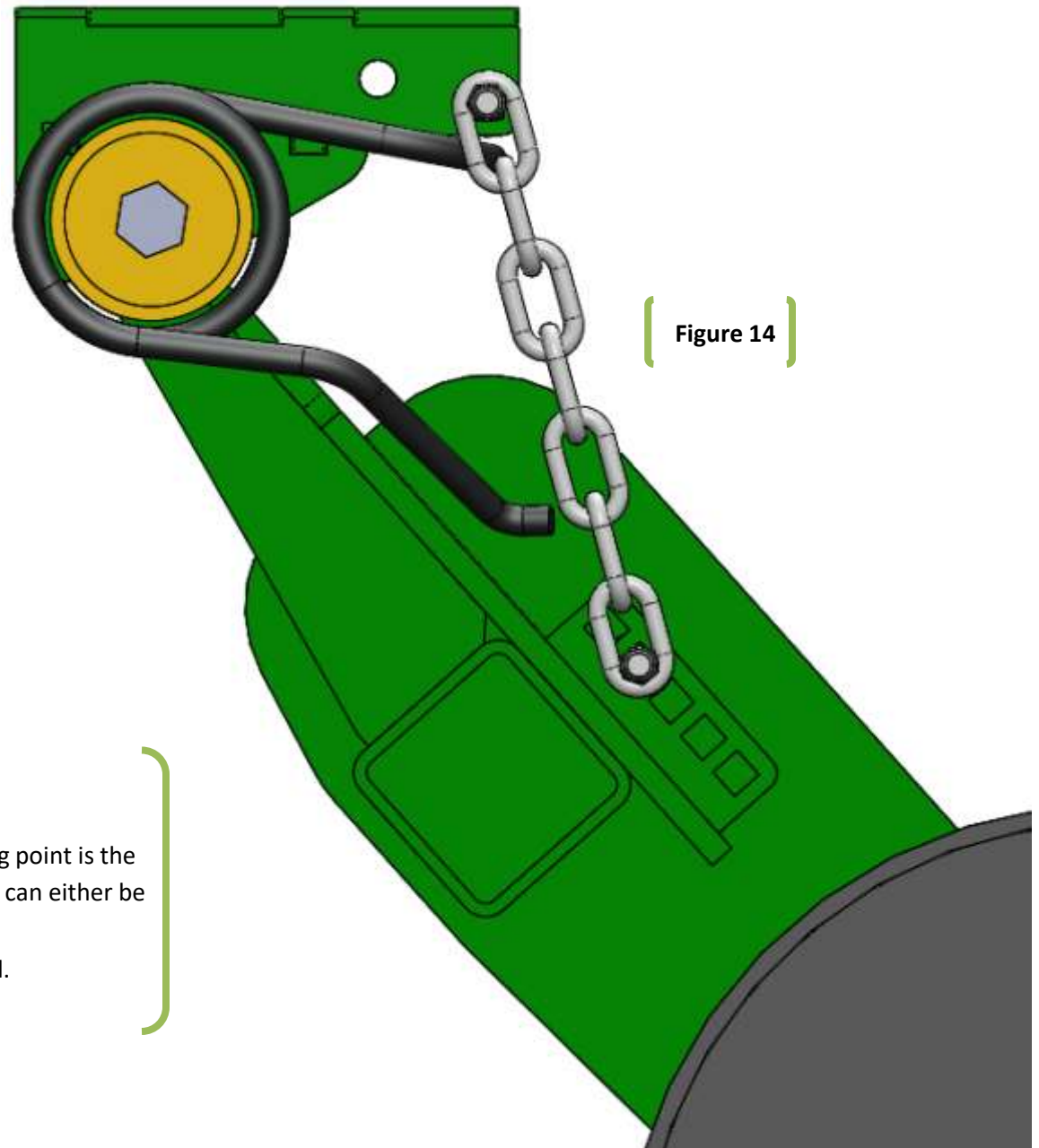


Figure 14

## Refer to Figure 14

21. Check which hole the chains are set to. A good starting point is the second hole from the top. If it is not in this position, it can either be changed now or after the kit is installed.
22. The roller needs to be on the ground when in the field.



# Kit Installation

Refer to Figures 15 & 16

23. Attach the stalk roller assemblies to the wings using the provided 5/8" U-bolts (LAN079UBOLT) and serrated flange nuts (LAN690830).
24. Position the rollers so they cover the entire track and the inner edge of the roller is outside the pivot pin.



Figure 15

Figure 16

# Kit Installation

## Refer to Figures 17 & 18

25. The included pins (LANSS704) are for storage purposes. When storing folded up, insert the pins as shown (Figure 22) to prevent the wings from settling down.
26. Store in the provided hole as shown (Figure 23).

Note: push and twist the cap to remove and attach.

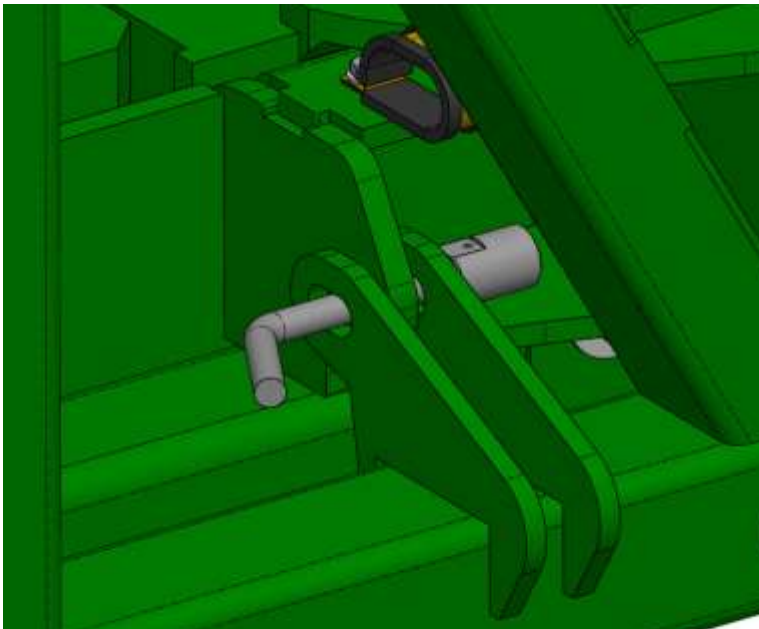


Figure 17

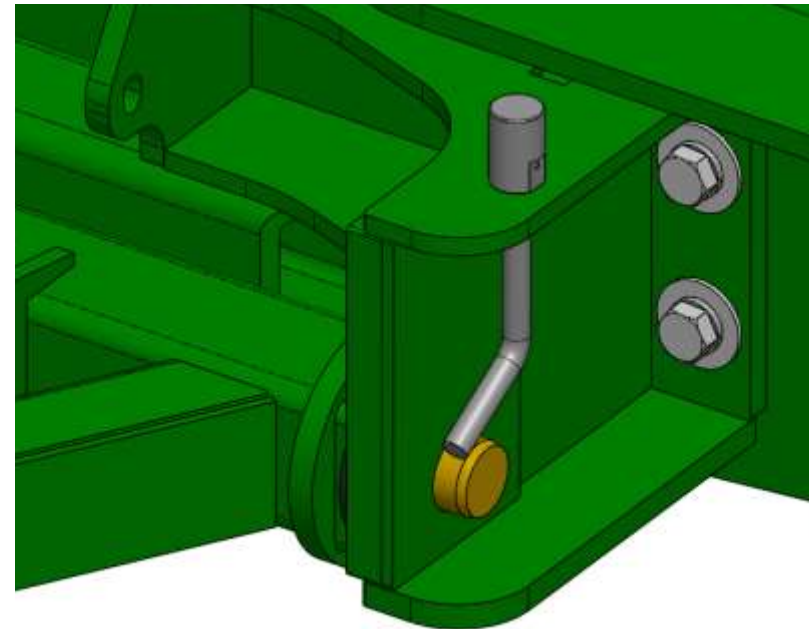


Figure 18



# Hydraulic Schematic

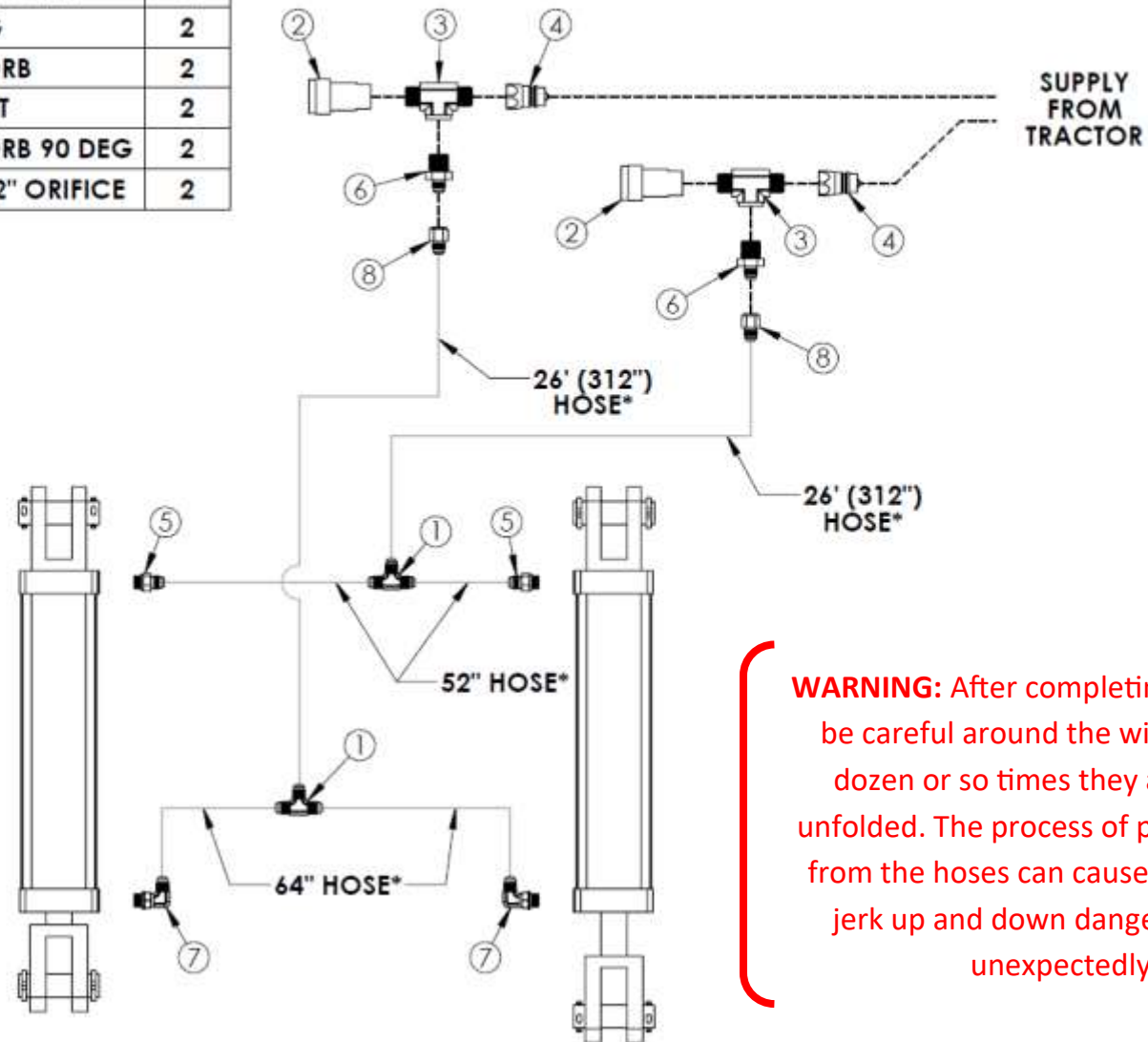
ITEM NO.	DESCRIPTION	QTY.
1	9/16" MALE JIC TEE	2
2	1/2" FEMALE NPT QUICK COUPLER	2
3	1/2" FEMALE NPT TO 1/2" MALE NPT TEE	2
4	1/2" NPT MALE NIPPLE COUPLING	2
5	9/16" MALE JIC TO 9/16" MALE ORB	2
6	9/16" MALE JIC TO 1/2" MALE NPT	2
7	9/16" MALE JIC TO 9/16" MALE ORB 90 DEG	2
8	9/16" JIC MALE TO FEMALE - 1/32" ORIFICE	2

\* 3/8" Diameter Hoses



Every hose end is crimped with a straight swivel flange fitting.

## LANSRJD9RT - Hydraulic Schematic



**WARNING:** After completing installation, be careful around the wings the first dozen or so times they are folded/unfolded. The process of purging the air from the hoses can cause the wings to jerk up and down dangerously and unexpectedly.

# Kit Installation



Figure 19

Figure 20



## Refer to Figures 19—21

27. Install the hose kit as shown in the hydraulic schematic.
28. Run hoses as shown, using the included zip ties to keep them together and out of harm.
29. You can either run the hoses under the tractor or along the passenger side.

Figure 21



# Kit Installation

## Refer to Figures 22—24

30. Use the LAN25162 hose clamps to keep the hoses clear of the wings.
31. Mount them with the 5/16" x 1" bolt, SAE washer and nyloc nut to the roller mounts.



Figure 22



Figure 23

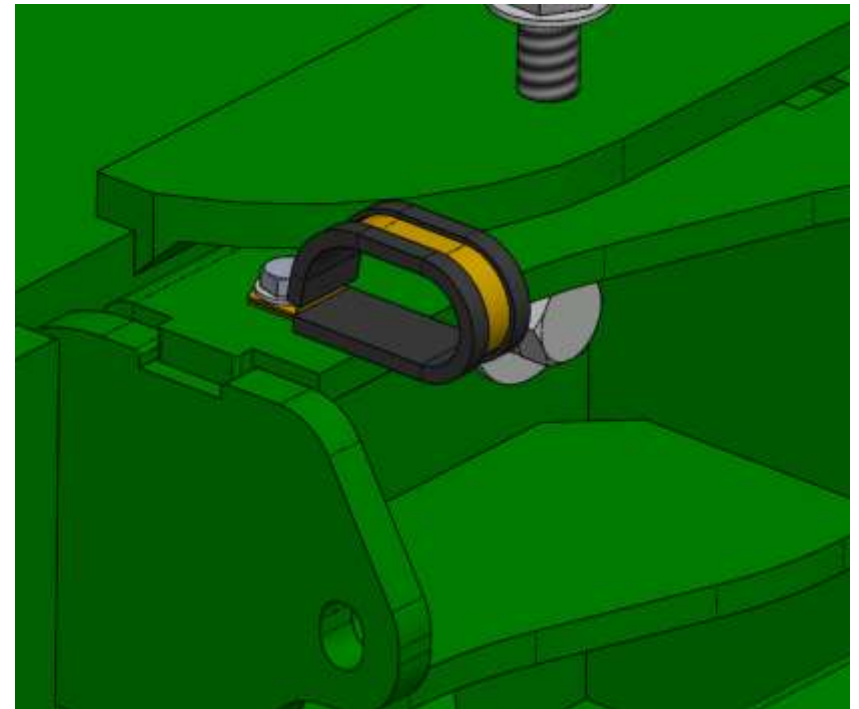


Figure 24



# Headlight Clearance Consideration

Refer to Figures A, B & C

If additional light clearance is required, install cylinder stops (LANSCA-1) as necessary (one or two) on each cylinder to hold the roller arms away from the lights.

**Note:** The cylinder stops will need to be removed in order to utilize the storage pin position (See

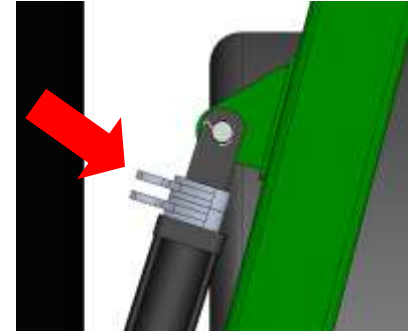


Figure A

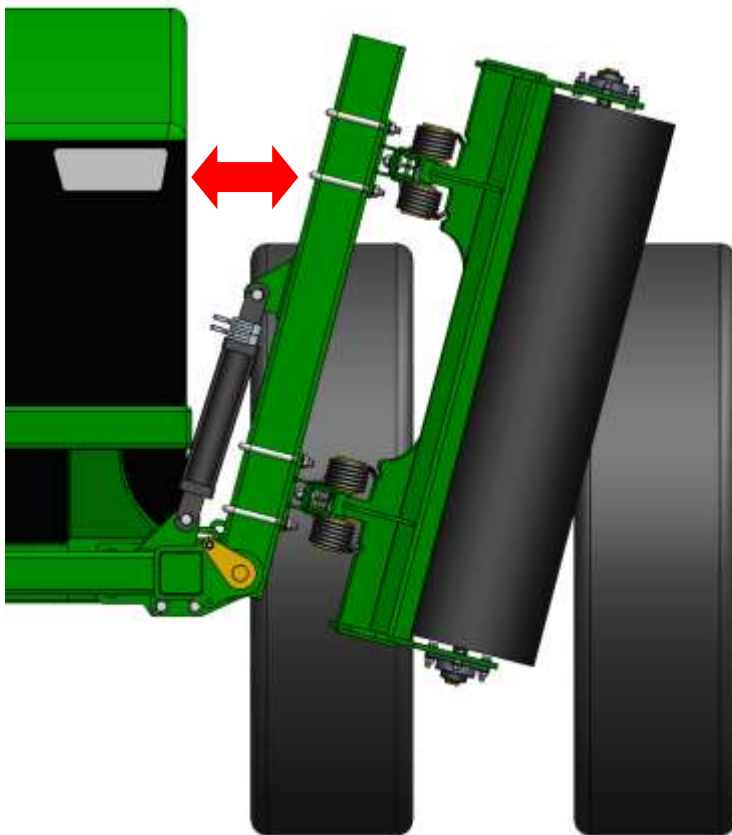


Figure B

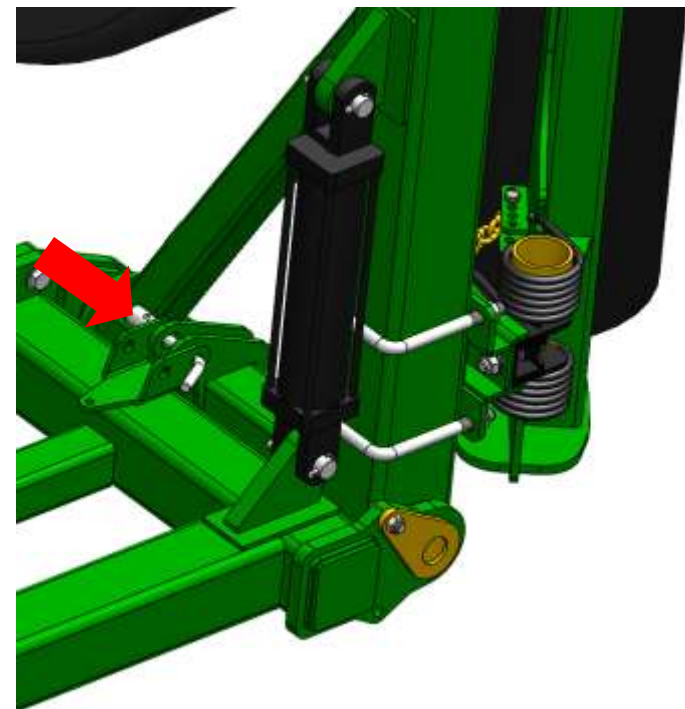


Figure C

**For further technical assistance,**

**Call Lankota Inc. at:**

**1-866-526-5682**

