

LANTB21446

Instructions

Lankota Universal Large Tool Box for JD® Implements with 4", 5", or 6" by 4", 5", or 6" Square or Rectangular Tubing

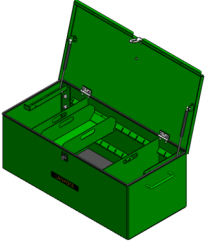
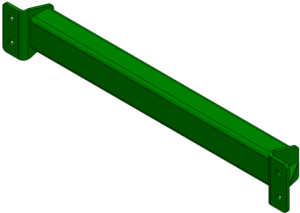
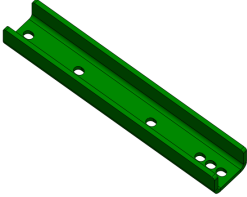
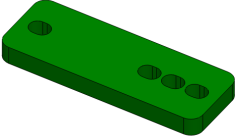
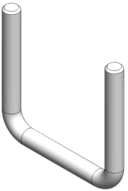
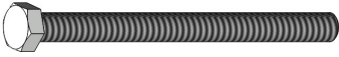
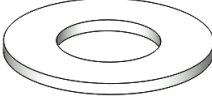
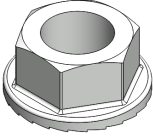
LANKOTA®

**270 West Park Avenue
Huron, SD 57350
866-526-5682**

Numerical Parts List

Part Numbers	Description	Quantity
LANTBJD200	John Deere Tool Box Assembly	1
LANTB2144601	JD Universal Toolbox Mount	1
LANTB2144602	JD Universal Toolbox Channel	2
LANTB2044603	Toolbox Mount Clamp Plate	2
-----	Bag of Hardware Includes:	1
LAN1290UBOLT	U-Bolt 5/8"-11 x 4-1/8" ID x 4-1/2" Long	2
LANF92865A282	Hex Head Cap Screw - 5/8"-11 x 8" Fully Threaded, Grade 5	4
LANFWS57	SAE Flat Washer—5/8"	4
LAN690830	Serrated Flange Nut—5/8"-11	8

Pictorial Parts List

			
LANTBJD200 (1)	LANTB2144601 (1)	LANTB2144602 (2)	LANTB2144603 (2)
			
LAN1290UBOLT (2)	LANF92865A282 (4)	LANFWS57 (4)	LAN690830 (8)

Installation

Refer to Figures 1 & 2

IMPORTANT: To avoid damage to tractor, implement, toolbox, or other attachments, make sure that the chosen toolbox location will not interfere with any implement folding/unfolding or turning operations.

1. Loosely fasten the Universal Toolbox Channel (LAN2144602) and Mount Clamp Plate (LAN2144603) to the desired location using the provided 5/8"-11 x 8" bolt (LAN92865A282), a washer under the **bolt head** (LANFWS57), and the 5/8"-11 Serrated Flange Nut (LAN690830).

NOTE: Depending on your toolbox location, the Universal Toolbox Channel can be installed one of two ways—with the channel face against the back side of the tube, or the channel legs against the front face of the tube. Whichever way is chosen, keep in mind that the toolbox will be on the **FLAT FACE** side of the channel.



Figure 1



Figure 2

Installation

Refer to Figures 3

2. Loosely fasten the other channel and clamp plate. We recommend a location where the toolbox can be centered as best as possible on the channels. Maintain a minimum 12" spacing from the other set and a maximum of 30". This will ensure adequate strength from the mount system.
3. Level up the mounts and tighten all hardware

Figure 3



Installation

Refer to Figures 4 & 5

4. Loosely fasten the Universal Toolbox Mount (LANTB2144601) to the channels using the provided 5/8" U-Bolt (LAN1290UBOLT) and 5/8"-11 Serrated Flange Nuts (LAN690830).
5. Center the mount as best as possible on the channels and tighten the hardware

Figure 4



Figure 5



Installation

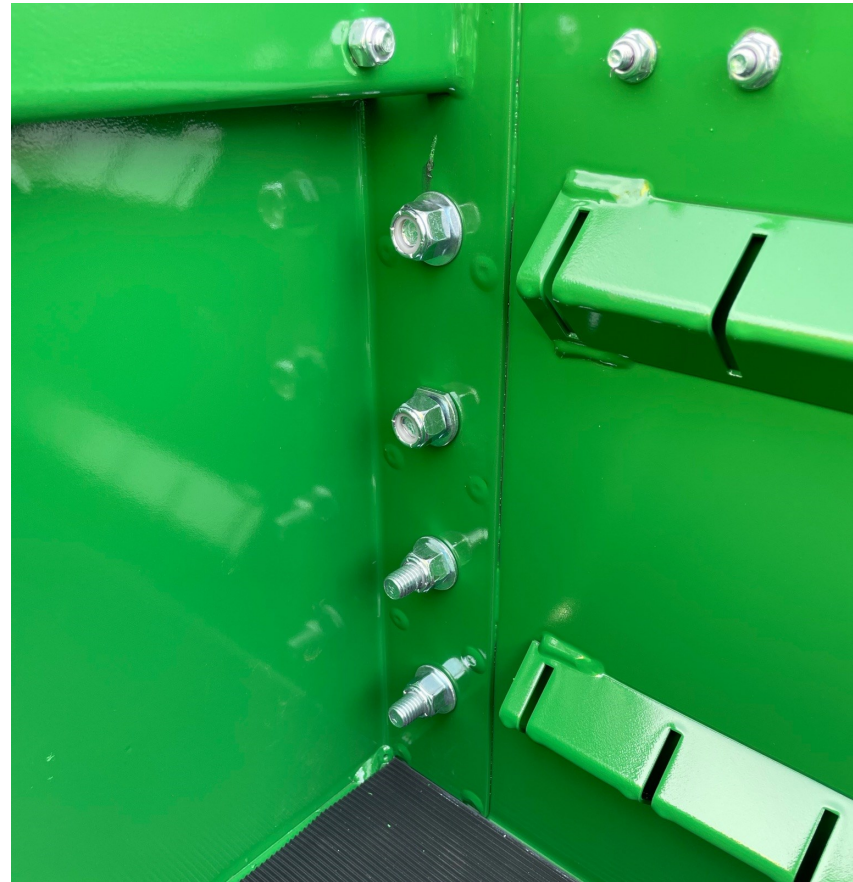
Refer to Figures 6 & 7

6. Attach the toolbox at the desired height to the mount using the 1/2" carriage bolts, washers, and nylon lock nuts provided with the toolbox. Tighten the hardware.
7. Fill the unused bolt holes with the remaining 1/2" carriage bolts, washers, and nylon lock nuts.

Figure 6



Figure 7

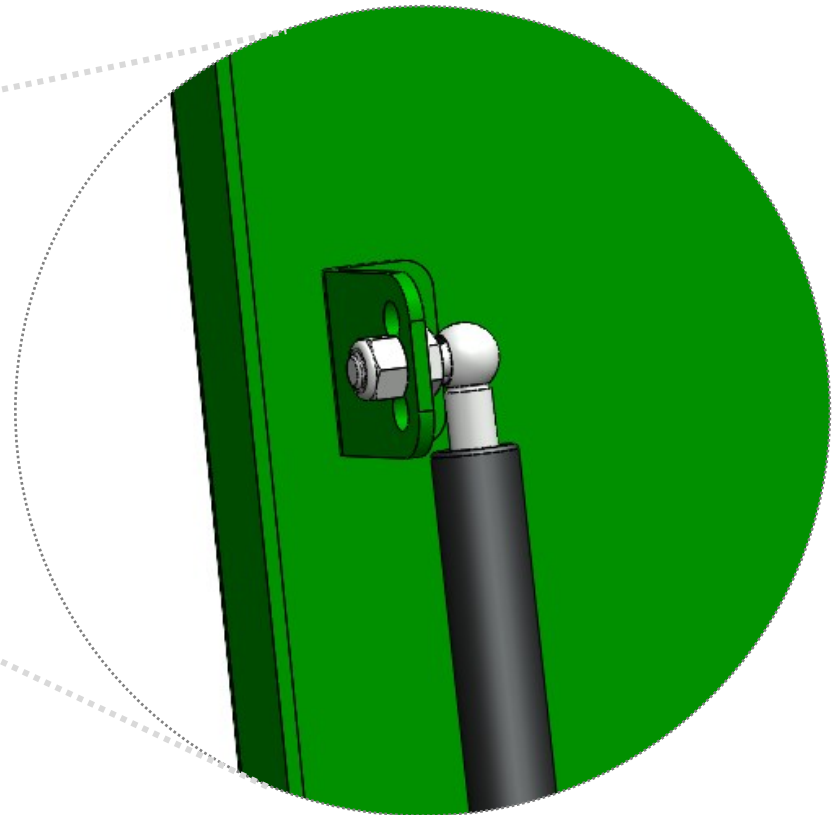


Installation

Refer to Figures 8

8. Make sure the lid of the tool box does not interfere with any portion of the implement. If it does, the gas springs can be placed in a different hole on the lid to keep the lid from opening as far.

Figure 8



Maintenance

1. If your lid support struts become weak over time, contact Lankota to purchase the correct replacements.



**For further technical assistance,
call Lankota Inc. at:
1-866-526-5682**