

LAN84398-1.5

Installation Instructions

Cutting Platform Wedge Kit for 600 Series John Deere Headers 1.5 Degree Angle Addition

LANKOTA[®]

270 West Park Avenue

Huron, SD 57350

866-526-5682

Numerical Parts List

<i>Part Numbers</i>	<i>Description</i>	<i>Quantity</i>
LAN212589	Wedge Assembly for 1.5 Degree	1
LAN212678	LH Angle Plate	1
LAN212679	RH Angle Plate	1
LAN212685	Plate for 0 Degrees	2
LAN212742	Plate for 1.5 Degree	2
LAN212912	LH Angle Bracket	1
LAN212913	RH Angle Bracket	1
LANH151937*	10MM Small Flange Rib Nut	5
LANH201028*	Torex Pan Head 5/16-18 x 3/4 Self Tapping Screw	2
LAN14M7298*	M8-1.25 Flange Nut	2
LAN19M7785*	M10 x 25mm Hex Flange Bolt	5
LAN19M7787*	M12 x 20mm Hex Flange Bolt	4
LAN19M7866*	M8 x 20mm Hex Flange Bolt	2

**included in bag of hardware.*

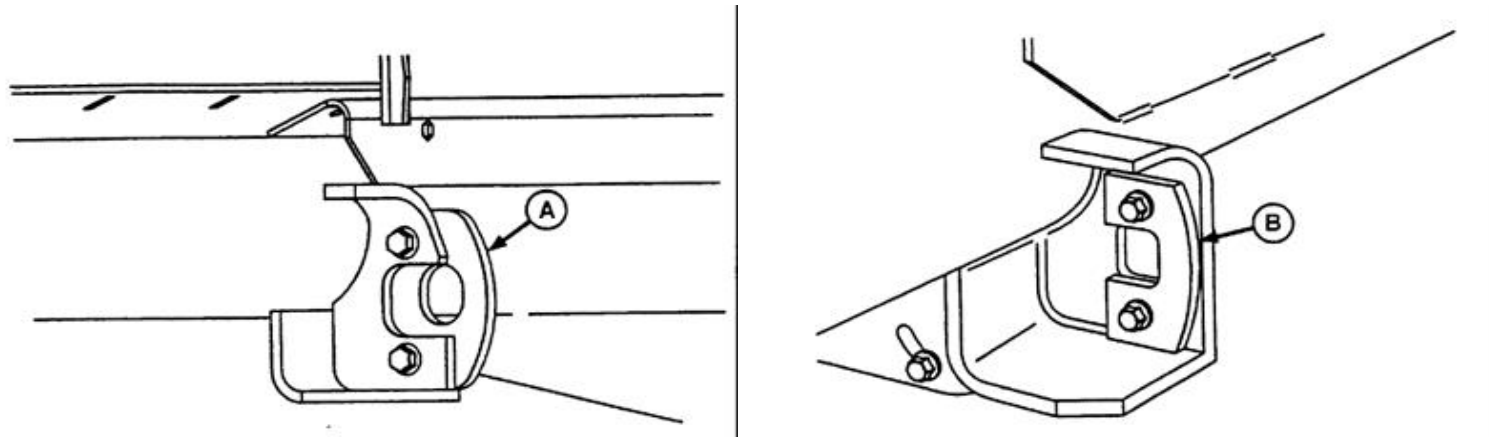
Pictorial Parts List

 <p>LANH151937 (5)*</p>	 <p>LANH201028 (2)*</p>	 <p>LAN14M7298 (2)*</p>	 <p>LAN19M7785 (5)*</p>	 <p>LAN19M7787 (4)*</p>
 <p>LAN19M7866 (2)*</p>	 <p>LAN212589 (1)</p>	 <p>LAN212678 (L) (1)</p>	 <p>LAN212679 (R) (1)</p>	 <p>LAN212685 (2)</p>
 <p>LAN212742 (2)</p>	 <p>LAN212912 (L) (1)</p>	 <p>LAN212913 (R) (1)</p>		

****** Please look at the two figures below and determine the correct installation procedure for your particular head: If your LEFT HAND bracket looks like:

Figure A – Perform Procedure 1

Figure B—Perform Procedure 2



Preparation

1. Position Combine on level ground with the platform removed.

1. Determine the Correct Amount of Angle

Refer to Figure 1.1

- 1.1 Position the feeder house so it is perpendicular to the ground. Use a level on front surface of feeder house to obtain this, see figure.
- 1.2 Measure from center of spline shaft to the ground as in figure below.
- 1.3 From the following tables on the next page determine the correct wedge angle to install.



Figure 1.1

9050 Series STS Combines		9000, 10, & 50 Series CWS Combines	
Figure A	Wedge Angle	Figure A	Wedge Angle
Less than 28"	0	Less than 21.5"	0
28" – 30.5"	1.5	21.5" - 29.5"	1.5
30.5" - 32.5"	3	29.5" – 31"	3
More than 32.5"	4.5	More than 31"	4.5

**** Platform must be removed from combine and placed on header trailer or safely on secure blocks to allow ample room to perform BOTH procedures.**

2. Installing the Cutting Platform Wedge Kit (Procedure 1)

Refer to Figures 2.1, 2.2 & 2.3

- 2.1 Remove both wear plates from header attach brackets by removing the two bolts.
- 2.2 Install new wear bracket (LAN212742) selected for your desired angle. Attach using two bolts (LAN19M7787). Repeat on other side of head. Make sure brackets get attached to inside of mounts.
- 2.3 Mount correct vertical seals (LAN212912 & LAN212913) for desired angle change to correct bottom seal using one TORX Head Self Tapping Screw (LANH201028) per side.

NOTE: Brackets (LAN212685) are same as factory 0 degree brackets. These are supplied if the customer wishes to change header back to original configuration at a later time.

Figure 2.1

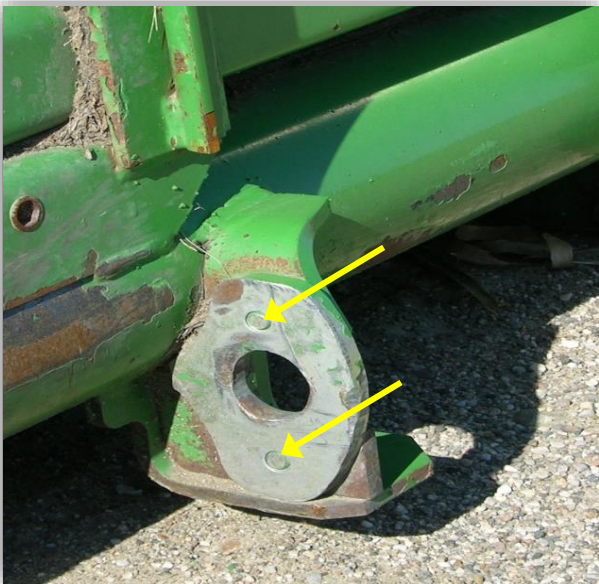
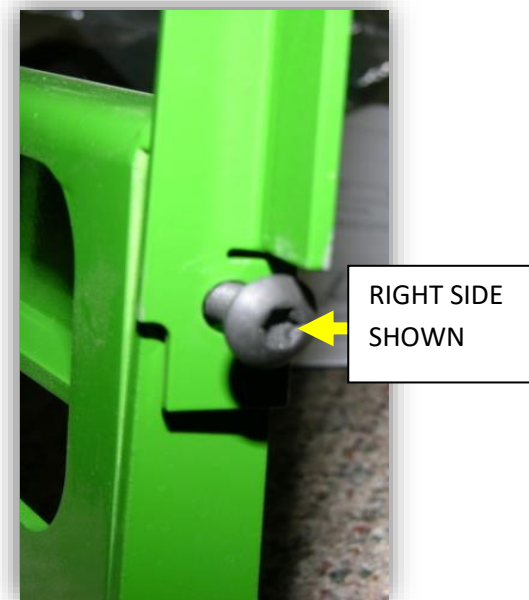


Figure 2.2



Figure 2.3



Refer to Figure(s) 2.4 & 2.5

- 2.4 Lift wedge assembly (LAN212589) into place so that the top of the wedge is level with the top of the feeder house opening. Using the wedge piece as a template, mark holes for RIVNUTS as shown below. Center punch holes at locations marked through template in step above. Drill out holes using a 17/32" drill bit, tap in 5 RIVNUTS (LANH151937).
- 2.5 Install bolt heads to inside of platform, and attach bottom portion of seal with 5 Bolts (LAN19M7785). Mark and drill one 11/32" hole per side to secure the vertical seals, bolt seal to the edge of the feeder house assembly with Bolt (LAN19M7866) and Nut (LAN14M7298). Inspect for any gaps around seal that you may lose profitable grain through. Fill gaps with regular weatherproof caulk.

Figure 2.4



Figure 2.5



Now that wedge kit has been installed, it will be necessary to place blocks under the platform just behind the cutter bar at both ends of the cutter bar when removing the head on level ground. Failure to do so will make it extremely hard to pick up platform next time. Place header on header trailer whenever possible. This action will not be affected by this installation

3. Installing the Cutting Platform Wedge Kit (Procedure 2)

Refer to Figure(s) 3.1 & 3.2

3.1 Remove wear plates from header attach brackets by removing the two bolts.

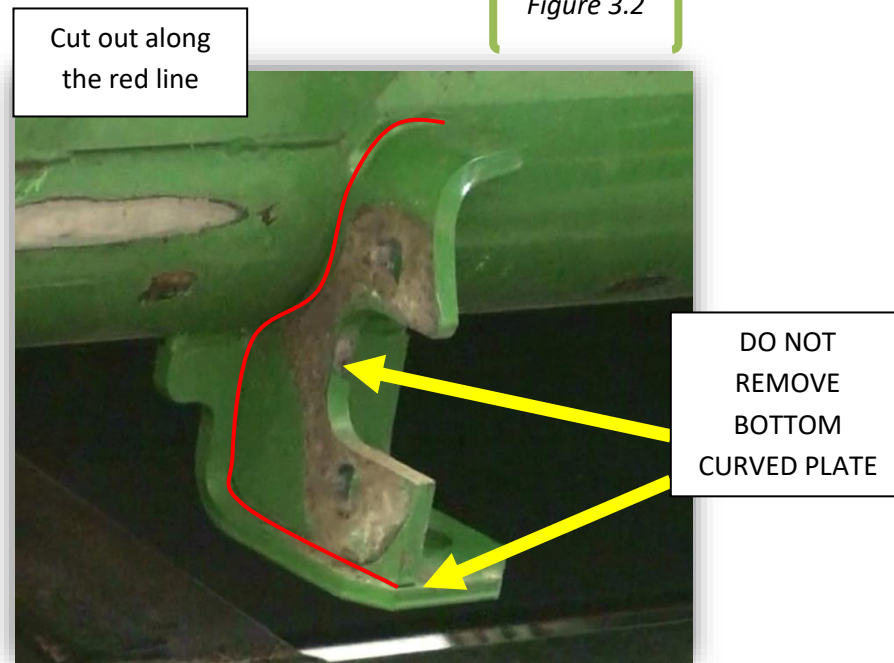
3.2 Measure out from vertical bracket 10mm and mark a line parallel to bracket as shown below **Bottom flat bracket is not removed!** Remove vertical bracket from main frame tube using a cutting torch. Be certain to not cut into main frame tube as this could weaken the tube. Grind all surfaces smooth.

3.3 Place outside edge of new bracket (LAN-212679(R)) & (LAN-212678(L)) on mark made in step above. Weld new bracket to main frame tube and bottom flat bracket making sure to only weld on outside of brackets at all connecting points. Do not weld on inside of brackets as this may interfere with mounting of wear plates. Paint brackets when welds cool for a proper finishing.

Figure 3.1



Figure 3.2



Refer to Figure(s) 3.3 & 3.4

3.4 Install new wear bracket (LAN212743) selected for your desired angle. Attach using two bolts (LAN19M7787). Repeat on other side of head. Make sure brackets get attached to inside of mounts.

3.5 Mount correct vertical seals for desired angle change to correct bottom seal using one TORX head self tapping screw (LANH201028) per side.

Figure 3.3



Figure 3.4



RIGHT SIDE
SHOWN

Refer to Figure(s) 3.5 & 3.6

3.6 Lift wedge assembly into place so that the top of the wedge is level with the top of the feeder house opening. Using the larger bottom wedge piece as a template, mark holes for RIVNUTS as shown below. Center punch holes at locations marked through template in step above. Drill out holes using a 17/32" drill bit, tap in 5 RIVNUTS (LANH151937).

3.7 Install bolt heads to inside of platform, and attach bottom portion of seal with 5 Bolts (LAN19M7785). Mark and drill one 11/32" hole per side to secure the vertical seals, bolt seal to the edge of the feeder house assembly with Bolt (LAN19M7866) and nut (LAN14M7298). Inspect for any gaps around seal that you may lose profitable grain through. Fill gaps with regular weatherproof caulk.

Figure 3.5



Figure 3.6



Now that wedge kit has been installed, it will be necessary to place blocks under the platform just behind the cutter bar at both ends of the cutter bar when removing the head on level ground. Failure to do so will make it extremely hard to pick up platform next time. Place header on header trailer whenever possible. This action will not be affected by this installation

For further technical information, you may call Lankota Inc.: 1-866-526-5682