

LANBS23505

Installation Instructions

Lankota Upper Feeder House Brush Kit for JD® 60 (-720x00) Series Wide Body Level Land Combines

(Also Fits Updated 00, 10, 50 Series JD® Combines)

LANKOTA®

**270 West Park Avenue
Huron, SD 57350
866-526-5682**

Numerical Parts List

Part Numbers	Description	Qty
LANBS6FD01	Brush	1
LANBS6FD02-03	Brush Holder - (Long) Bottom	1
LANBS6FD02-04	Brush Holder - (Long) Top	1
LAN204552	Shield Drum Wide	1
LANBS22489-02	Brush Spacer	1
LAN204K	5/16-18 x 1" Carriage Bolt	6
REDKRJ8	5/16-18 Top Lock Nut	8
LAN3B16A16	5/16" x 1 1/4" Hex Bolt	2
LAN1133	5/16" Flat Washer	2

Preparation

1. Remove head from combine if one is attached.
2. Raise the feeder house and lower the safety stop on the feeder house cylinder.
3. Set the parking brake on the combine.
4. Turn off the combine engine and remove the key.

Pictorial Parts List

				
LANBS6FD01 (1)	LANBS6FD02-03 (1)	LANBS6FD02-04 (1)	LAN204552 (1)	LANSB22489-02 (1)
				
LAN204K (6)	REDKRJ8 (8)	LAN3B16A16 (2)	LAN1133 (2)	

Kit Installation

Refer to Figure 1 & 2

1. Remove the original center upper feeder house shield and replace it with the new upper feeder house shield LAN204552.
2. Using the brush spacer (LANBS22489-02) on the front of the upper feeder house shield as a template, mark the outside shields through the last hole on both ends.
3. Drill the marked holes through the outside shields with a 3/8" drill bit.



Figure 1

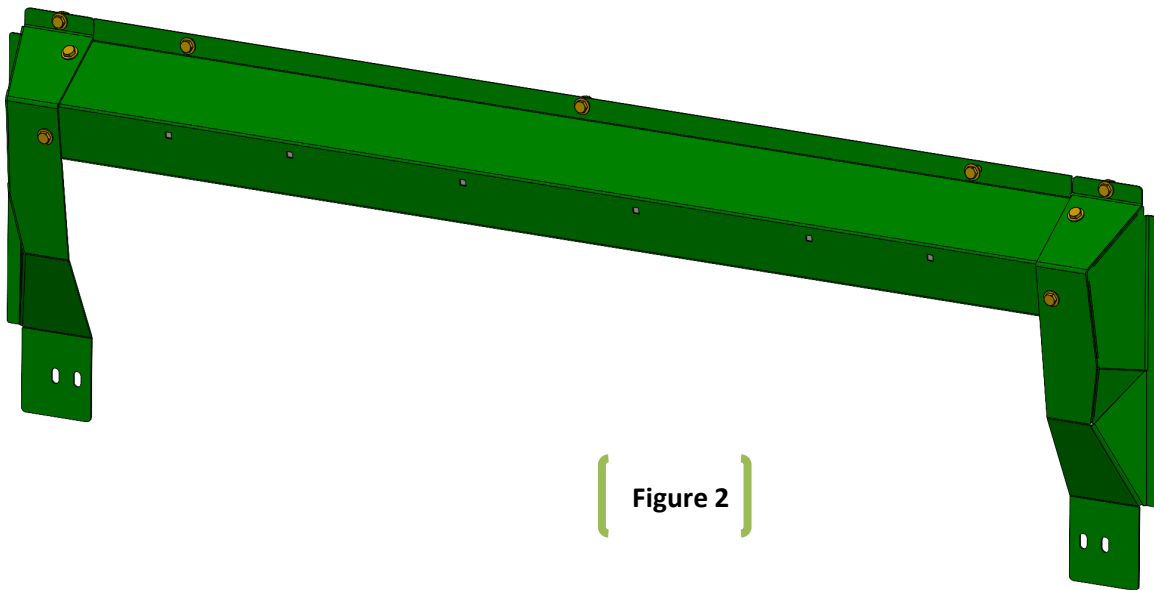


Figure 2

Kit Installation

Refer to Figures 2 - 4

4. Remove the upper feeder house shield (LAN204552) from the combine.
5. Install the brush on the back of shield as shown below; use the provided 5/16" x 1" carriage bolts (LAN204K) and top lock nuts (REDKRJ8). Use the brush spacer (LANBS22489-02) to space the stainless brush holders off the back of the shield.

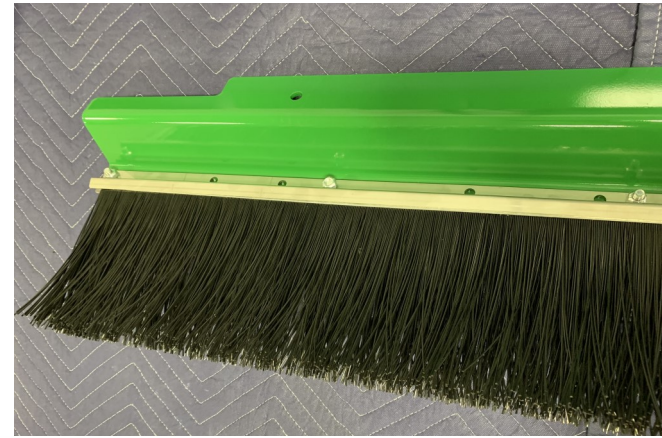


Figure 2

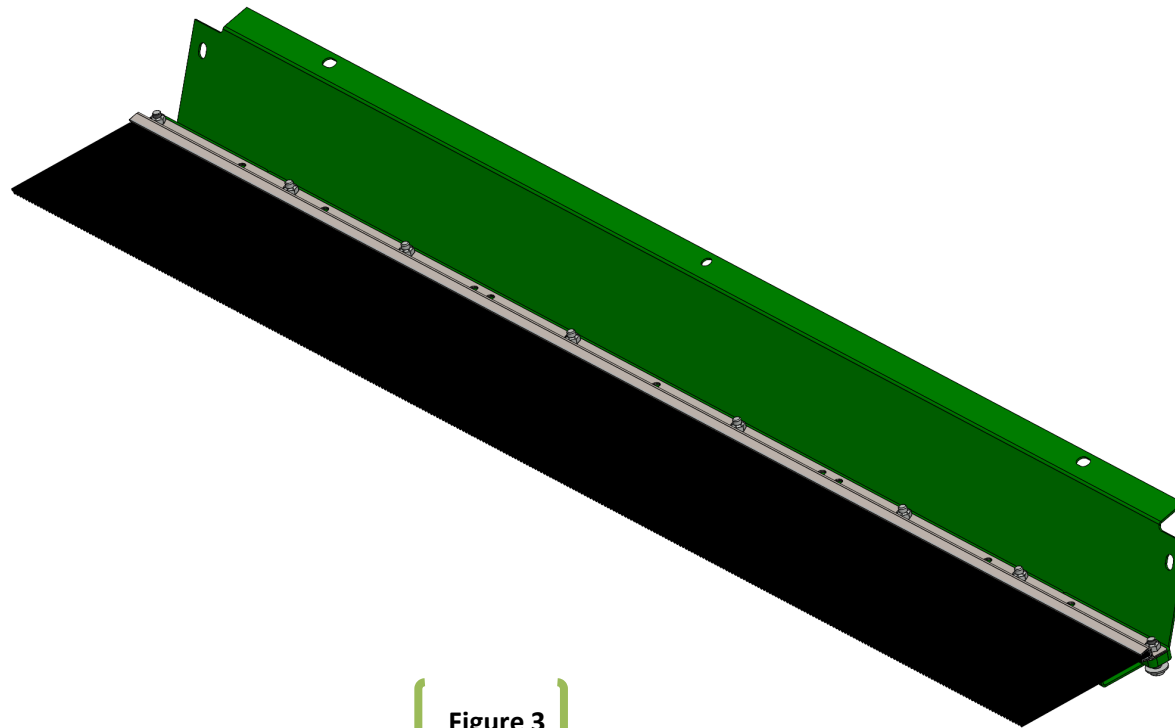


Figure 3

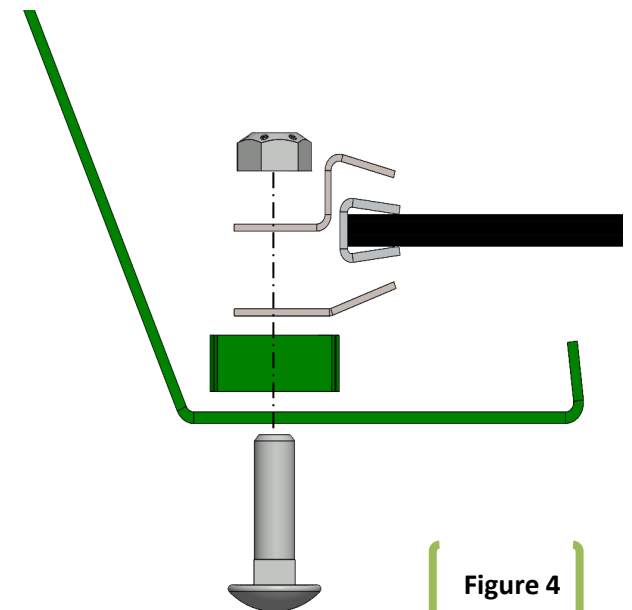


Figure 4

Kit Installation

Refer to Figure 5

6. Install the previously assembled upper feeder house shield and brush.
7. Re-attach the original side shields.
8. On each end, through the previously drill hole in the side shields, bolt through the side shields, brush spacer and stainless brush holders with a 5/16" x 1 1/4" hex bolt (LAN3B16A16), 5/16" flat washer (LAN1133) and 5/16" lock nut (REDKRJ8).

For further technical assistance,

Call Lankota Inc. at:

1-866-526-5682

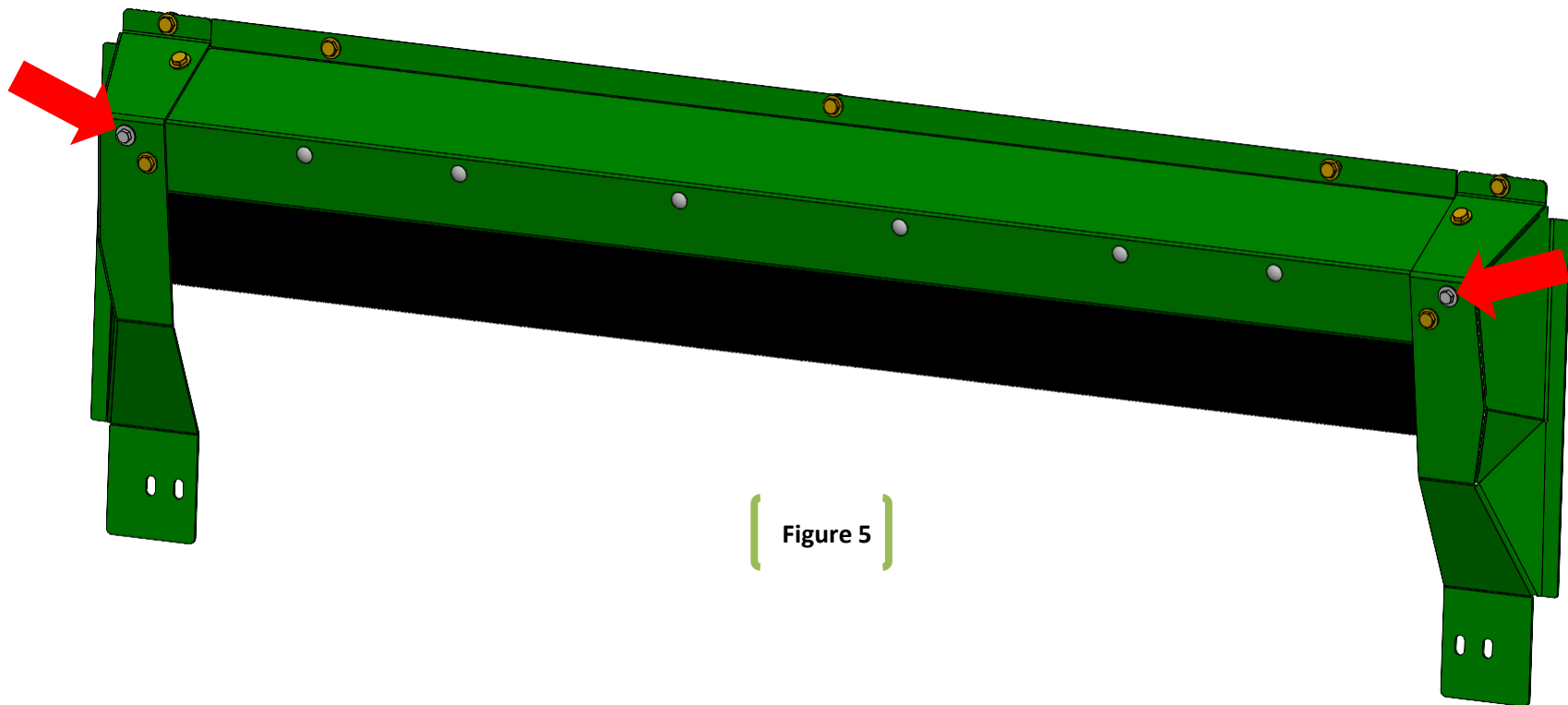


Figure 5