

LANBS6FD44K

Installation Instructions

Bean Saver Brush Kit for JD® Flex Draper Heads with Optional Small Diameter Top Auger

(6xxFD & 7xxFD Series)

Top Brush ONLY

LANKOTA®

**270 West Park Avenue
Huron, SD 57350
866-526-5682**

Numerical Parts List

Part Numbers	Description	Qty
LANBS6FD01	Bean Saver Brush	1
LANBS6FD02-03	Brush Holder - (Long) Bottom	1
LANBS6FD02-04	Brush Holder - (Long) Top	1
LANBS6FD06A	Top Auger Mounting Bracket	1
LANBS6FD06B	Top Auger Mounting Bracket	1
LANBS6DF07	Top Auger Brush Mount	1
LANFXG26	5/16-18 x 3/4" Carriage Bolt	4
REDKRJ8	5/16-18 Top Lock Nut	4
LAN1133	5/16" Flat Washer	4
LANBSBH	Bag of Hardware	1
LANFXG26	5/16-18 x 3/4" Carriage Bolt	7
REDKRJ8	5/16-18 Top Lock Nut	7

Preparation

1. **Attach desired header to the combine. Lock the head to the combine.**
2. **Raise the head off the ground and lower the safety stop on the feeder house cylinder.**
3. **Raise the reel all the way up.**
4. **Set the parking brake on the combine.**
5. **Turn off the combine engine and remove the key.**

Pictorial Parts List

 <p>LANBS6FD01 (1)</p>			 <p>LANBS6FD07 (1)</p>
 <p>LANBS6FD02-03 (1)</p>	 <p>LANBS6FD02-04 (1)</p>	 <p>LANBS6FD06A (1)</p>	 <p>LANBS6FD06B (1)</p>
 <p>LANFXG26 (11)</p>	 <p>REDKRJ8 (11)</p>	 <p>LAN1133 (4)</p>	

Kit Installation

Refer to Figure 1

1. Remove the hardware connecting the top auger bearing plates to the brackets above the feederhouse opening.
2. Attach the LANBD6FD06 mounts to the inner side of the auger brackets. Use the previously removed hardware and don't tighten.



Figure 9

Kit Installation

Refer to Figures 2 - 4

For 2016 and Newer Heads

- 3a. Measure and cut the brush (LANBD6FD01) to 53". Recrimp the end to prevent the bristles from falling out.
- 3b. Cut the brush holders (LANBS6FD02-03 & LANBS6FD02-04) along the **OUTER** etch lines (making them 53-3/4").
- 3c. Attach the freshly cut parts to the brush mount (LANBS6FD07). Use the hardware from the bag of hardware (LANBSBH) and tighten.

For 2015 and Older Heads

- 3d. Measure and cut the brush (LANBD6FD01) to 45". Recrimp the end to prevent the bristles from falling out.
- 3e. Cut the brush holders (LANBS6FD02-03 & LANBS6FD02-04) along the **INNER** etch lines (making them 45" as well).
- 3f. Attach the freshly cut parts to the brush mount (LANBS6FD07). Use the hardware from the bag of hardware (LANBSBH) and tighten.

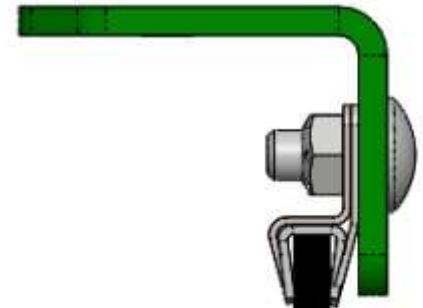


Figure 12

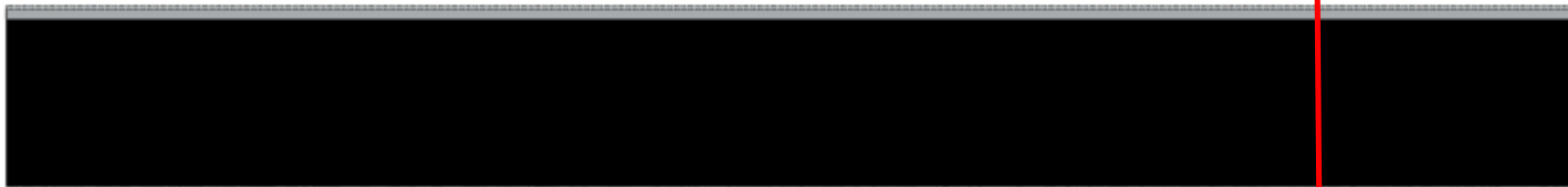


Figure 10

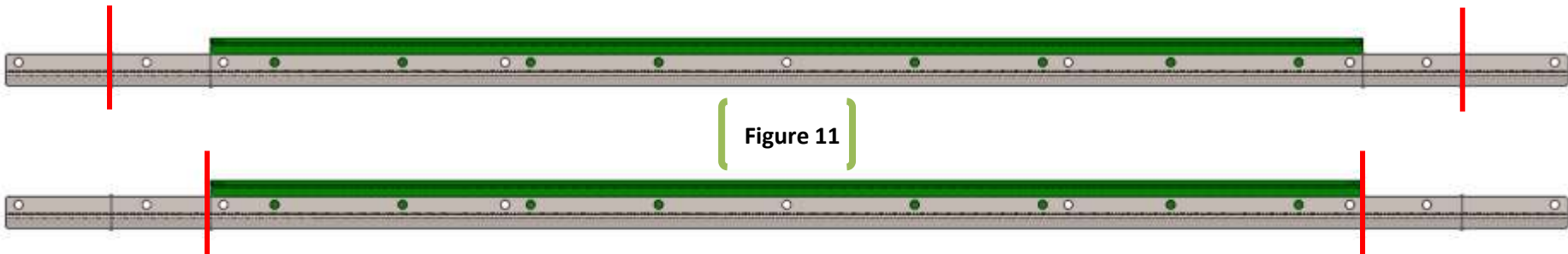


Figure 11

Kit Installation

Refer to Figures 5 - 6

4. Attach the LANBS6FD07 to the mounts with the (4) 5/16" x 3/4" carriage bolts, washers and nyloc nuts. Tighten all loose hardware.

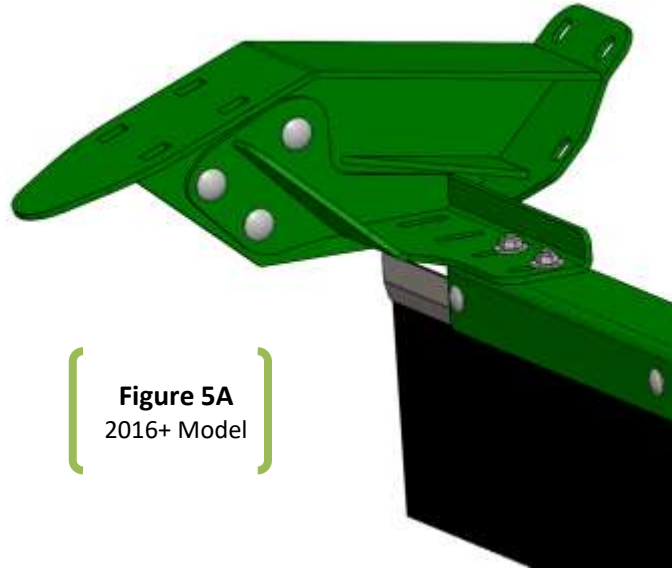


Figure 5A
2016+ Model

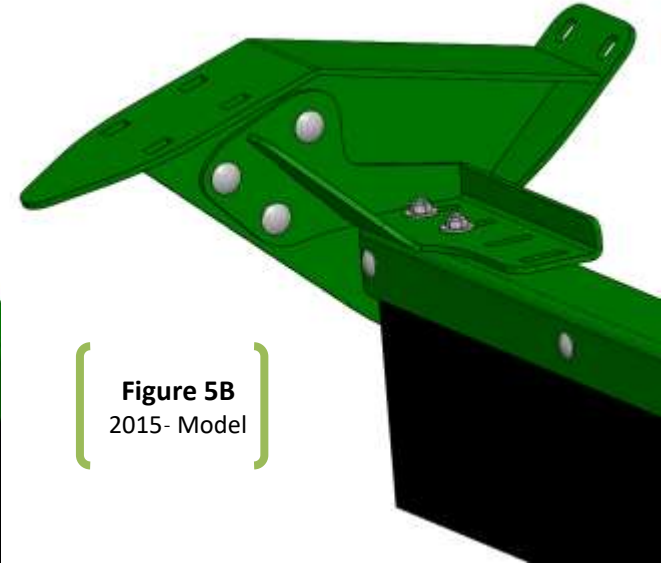


Figure 5B
2015- Model



Figure 6



For further technical assistance,

Call Lankota Inc. at:

1-866-526-5682