

LANCIHTC3744, 3755, 3766, 3777

Installation Instructions

Lankota Tow Cable Kit for:

CIH® Quadtrac and Rowtrac (Exclude 9370 & 9380 Quadtrac)

CIH® Steiger

CIH® STX Steiger

CNH® T9.XXX Wheeled and Tracked

CNH® T90X0

CNH® TJXXX

LANKOTA®

270 West Park Avenue

Huron, SD 57350

866-526-5682

Notice

This kit covers a variety of tractor configurations including with or without Front Cast Weight Attachment, Bumper Weight, Grill Guard or Weight Frame. Because of this, not all of the parts included in this kit will be used.

Section 1 - LANCIHTC3744	CNH Quadtrac, Rowtrac, Steiger, T9.XXX, T90X0 (ASN)
Section 2 - LANCIHTC3755	CNH STX Steiger, T90X0, TJXXX with 6" x 4" rectangle tube drawbar
Section 3 - LANCIHTC3766	CNH STX Steiger, T90X0, TJXXX with Reynolds drawbar (Lower Ears)
Section 4 - LANCIHTC3777	CNH Steiger 335, T9020 (with diamond mounting hole pattern)
Section 5 - Common Parts	All kits regardless of configuration or model.

For further technical assistance,

Call Lankota Inc. at:

1-866-526-5682

Numerical Parts List - Common Parts

Part Numbers	Description	Qty
LAN-CIHTC103	Front Differential Cable Plate	1
LAN-CIHTC103A	Spacer	4
LAN-CIHTC110	Tow Cable	1
LANTC207	Front Differential Cable Guide Link	1
LANTC208	1-1/4" Cable Shackle	1
LANTC209	1-3/8" Cable Shackle	1
LANF-HHCS-M20-100	M20 x 100 Bolt	4
LANF-FW-M20	M20 Flat Washer	4
LAN-CIHTC124	Front Cable Holder Arm	1
LAN-CIHTC105	Cable Retaining Latch	1
LANF93474A235	M12 x 50 CL 10.9 Flange Bolt	2
LANFWU54	7/16" Flat Washer	2
LANSS704	4" Solid Hitch Pin	1
LANF-BZBS-0.69-0.50	Bronze Bushing 0.69 ID 1/2" Long	1
LAN26B00	5/8" - 11 x 2" Bolt	1
LAN26000	5/8" Flat Washer	1
REDKRJF	5/8" Top Lock Nut	1
LANF257T	1.25" Split Collar	1

Pictorial Parts List - Common Parts

					
LAN-CIHTC103 (1)	LAN-CIHTC103A (4)	LAN-CIHTC110 (1)	LANTC207 (1)	LANTC208 (1)	LANTC209 (1)
					
LANF-HHCS-M20-100 (4)	LANF-FW-M20 (4)	LAN-CIHTC124 (1)	LAN-CIHTC105 (1)	LANF93474A235 (2)	LANFWU54 (2)
					
LANSS704 (1)	LANF-BZBS-0.69-0.50 (1)	LAN26B00 (1)	LAN26000 (1)	REDKRJF (1)	LANF257T (1)

Numerical Parts List - LANCIHTC3744

Part Numbers	Description	Qty
LAN-CIHTC101	Cable Anchor Weldment	1
LAN-CIHTC102	Top Threaded Plate	1
LAN-CIHTC206	Tow Cable Storage Pin	1
LAN-CIHTC214	Tow Cable Front Bracket	1
Included in LANCIHTC3708BH		
LANF-HHCS-M24-80	M24 x 80 Hex Bolt	6
LANF-FW-M24	M24 Flat Washer	6
RED21940	7/16" Lynch Pin	1
LANFB812	3/4"-10 x 3" Bolt	2
LANFNBF8	3/4"-10 Hex Nut	2
REDWU58	3/4" Flat Washer	2
REDWL58	3/4" Lock Washer	2

Pictorial Parts List - LANCIHTC3744

					
LAN-CIHTC101 (1)	LAN-CIHTC102 (1)	LANF-HHCS-M24-80 (6)	LANF-FW-M24 (6)	LAN-CIHTC206 (1)	RED21940 (1)
					
LAN-CIHTC214 (1)	LANFB812 (2)	LANFNBF8 (2)	REDWU58 (2)	REDWL58 (2)	

Numerical Parts List - LANCIHTC3755

Part Numbers	Description	Qty
LANTCSTX01	Tow Cable Connecting Plate	2
LANTCSTX03	1" Clamping Spacer	3
LANTCSTX04	1-1/8" Clamping Spacer	1
LANTCSTX05	Clamping Shim	2
LANFHN79	1.5" Hex Nut Gr.8	1
LANFHT1XC	1.5" x 10" Hex Bolt Gr. 8	1
LANFHCV6	1" x 10" Hex Bolt Gr. 8	3
LANF23J3	1" Hex Nut Gr. 8	3
LANFH15M3	1-1/8" x 10" Hex Bolt Gr. 8	1
LAN36422	1-1/8" Hex Nut Gr. 8	1
LANFOE11	1-1/2" Flat Washer	8

Pictorial Parts List - LANCIHTC3755

					
LANTCSTX01 (2)	LANTCSTX03 (3)	LANTCSTX04 (1)	LANTCSTX05 (2)	LANFHN79 (1)	LANFHT1XC (1)
					
LANFHCV6 (3)	LANF23J3 (3)	LANFH15M3 (1)	LAN36422 (1)	LANFOE11 (8)	

Numerical Parts List - LANCIHTC3766

Part Numbers	Description	Qty
LANFHN79	1.5" Hex Nut Gr.8	1
LANFHT1XC	1.5" x 10" Hex Bolt Gr. 8	1

Pictorial Parts List - LANCIHTC3766



LANFHN79 (1)



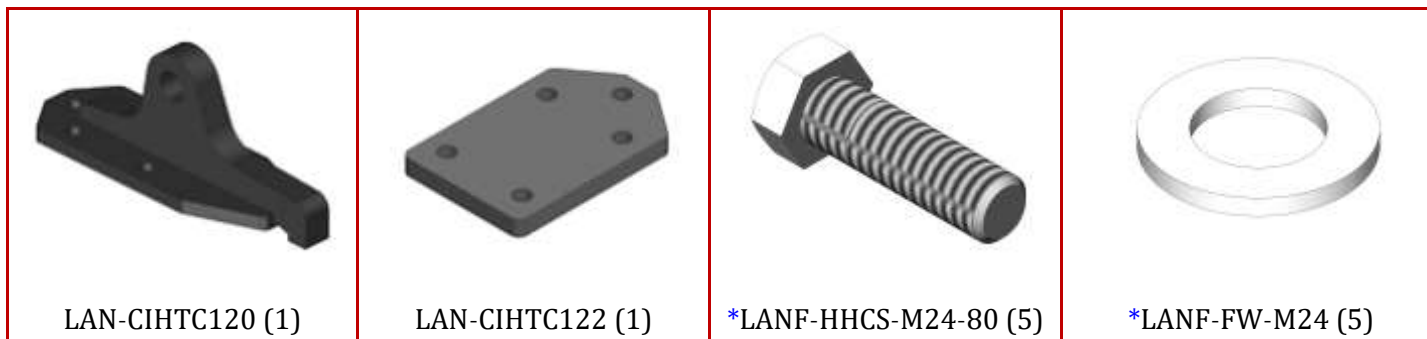
LANFHT1XC (1)

Numerical Parts List - LANCIHTC3777

Part Numbers	Description	Qty
LAN-CIHTC120	Cable Anchor Weldment	1
LAN-CIHTC122	Top Threaded Plate	1
*LANF-HHCS-M24-80	M24 x 80 Hex Bolt	5
*LANF-FW-M24	M24 Flat Washer	5

***Parts included in LANCIHTC3708BH**

Pictorial Parts List - LANCIHTC3777



1. LANCIHTC3744 - Tow Point Installation

Refer to Figure 1.1 - 1.3

1. Install (LAN-CIHTC101 & LAN-CIHTC102) in front of drawbar with taper of mount facing towards front of tractor. Clean out rear housing and install LAN-CIHTC102 above frame (sliding in from rear).
2. Bolt LAN-CIHTC101 to LAN-CIHTC102 using the (6) M24 x 80 Bolts and (6) M24 Washers.
3. Attach cable to rear mounting plate using LANTC209 with the washers on the cable toward the rear of the tractor.



Figure 1.1



Figure 1.2



Figure 1.3

1. LANCIHTC3744 with Bumper Weight, Grill Guard or Weight Frame

Refer to Figures 1.3 & 1.4

4. Mount cable to front storage area by running Storage Pin (LAN-CIHTC206) through cable eye and through hole in front weight plate.
5. Secure storage pin with Lynch Pin (RED21940).

Go to Section 5 for Common Cable Support and Storage Steps



Figure 1.3



Figure 1.4

1. LANCIHTC3744 without Front Cast Weight Attachment

Refer to Figures 1.5 - 1.7

6. Position the Front Bracket (LAN-CIHTC214) on the bottom of horizontal chassis plate in the front of machine.
7. Attach to the frame using the 3/4" bolts, nuts and washers provided. Insert the bolts with flat washers from the bottom, and secure with lock washers and hex nuts on the top.
8. Use the Storage Pin (LAN-CIHTC206) and lynch pin (RED21940) to secure the tow cable in place.



Figure 1.5



Figure 1.6



Figure 1.7

2. LANCIHTC3755 - Tow Point Installation

Refer to Figures 2.1 - 2.3

1. On the front end of the drawbar (6" wide, 4" tall), bolt the clamping spacers (LANTCSTX05) and the bolt spacers between plates LANTCSTX01 on each side of the drawbar. Use the 1-1/8" x 10" hex bolt (LANH15M3) and the 1-1/8" bolt spacer (LANTCSTX04) in the top left hole. Use the three 1" x 10" hex bolts (LANFHCV6) and bolt spacers (LANTCSTX03) in the other three holes.
2. Be sure the assembly is slid all the way forward to contact the top plate of the drawbar, before tightening the bolts.

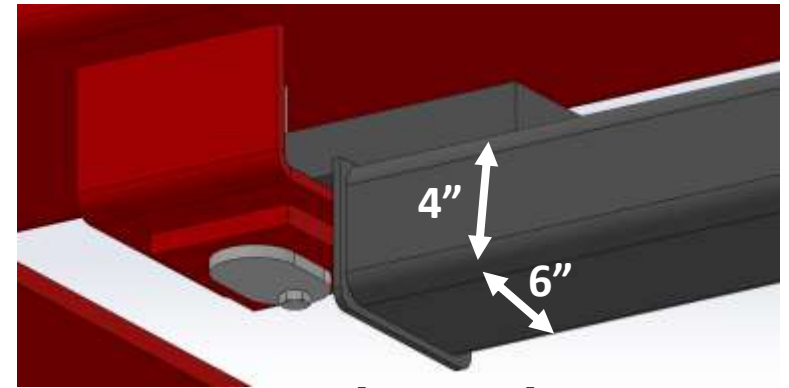


Figure 2.1

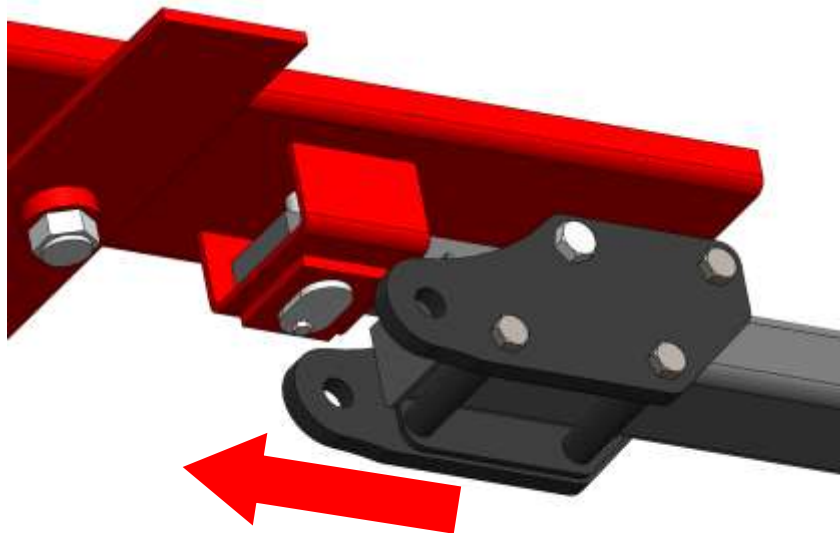
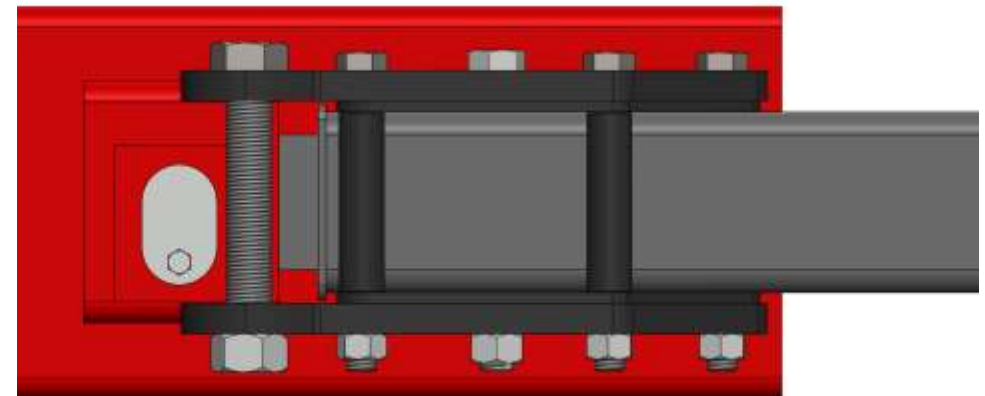


Figure 2.2



BOTTOM VIEW

Figure 2.3

2. LANCIHTC3755 - Tow Point Installation

Refer to Figures 2.4 - 2.5

3. Attach the tow cable (LAN-CIHTC110) to the pulling plates (LANTCSTX01) with the shackle (LANTC209) by replacing the shackle bolt with the 1-1/2" x 10" bolt (LANFHT1XC) and 1-1/2" nut (LANFHN79).
4. Use four 1-1/2" washers (LANFOE11) on each side of the shackle to keep it centered on the 1-1/2" bolt.

Note: The washers on the cable should be toward the rear of the tractor.

Go to Section 5 for Common Cable Support and Stowage Steps

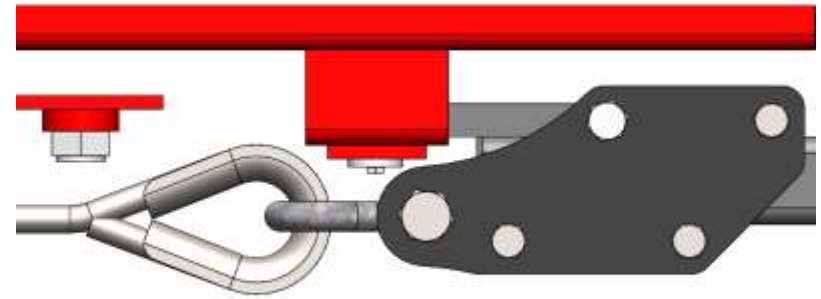


Figure 2.4



Figure 2.5

3. LANCIHTC3766 - Tow Point Installation

Refer to Figures 3.1 - 3.2

Attach the tow cable (LAN-CIHTC110) to the drawbar with the shackle LANTC209, by replacing the shackle bolt with the 1-1/2" x 10" hex bolt (LANFHT1XC) and 1-1/2" hex nut (LANFHN79).

Note: The washers on the cable should be toward the rear of the tractor.

Go to Section 5 for Common Cable Support and Stowage Steps



Figure 3.1



Figure 3.2

4. LANCIHTC3777 - Tow Point Installation

Refer to Figures 4.1 - 4.3

1. Install (LAN-CIHTC120 & LAN-CIHTC122) in front of drawbar with taper of mount facing towards front of tractor. Clean out rear housing and install LAN-CIHTC122 above frame (sliding in from rear).
2. Bolt LAN-CIHTC120 to LAN-CIHTC122 using the (5) M24 x 80 Bolts and (5) M24 Washers.
3. Attach cable to rear mounting plate using LANTC209 with the washers on the cable toward the rear of the tractor.

Go to Section 5 for Common Cable Support and Stowage Steps



Figure 4.1



Figure 4.2



Figure 4.3

5. Universal Installation

Refer to Figure 5.1 - 5.3

1. Install the front guide (LAN-CIHTC103 & LANTC207) on the front of the differential as shown in Figure 5.1. Use LANCIHTC103A spacers if necessary (**375 Standard Axle**). **Note: blow dirt out of the tapped holes first.**
2. Connect the cable (LAN-CIHTC110) using shackle LANTC208 to front differential link LANTC207. Place the washers on the front side of shackle and tighten cable to a good functioning tension. Use the split collar (LANF257T) to hold the cable in place.
3. For Row Trac tractors, (with the cable in backwards) use the split collar (LANF257T) in front of a few washers to tension the cable.

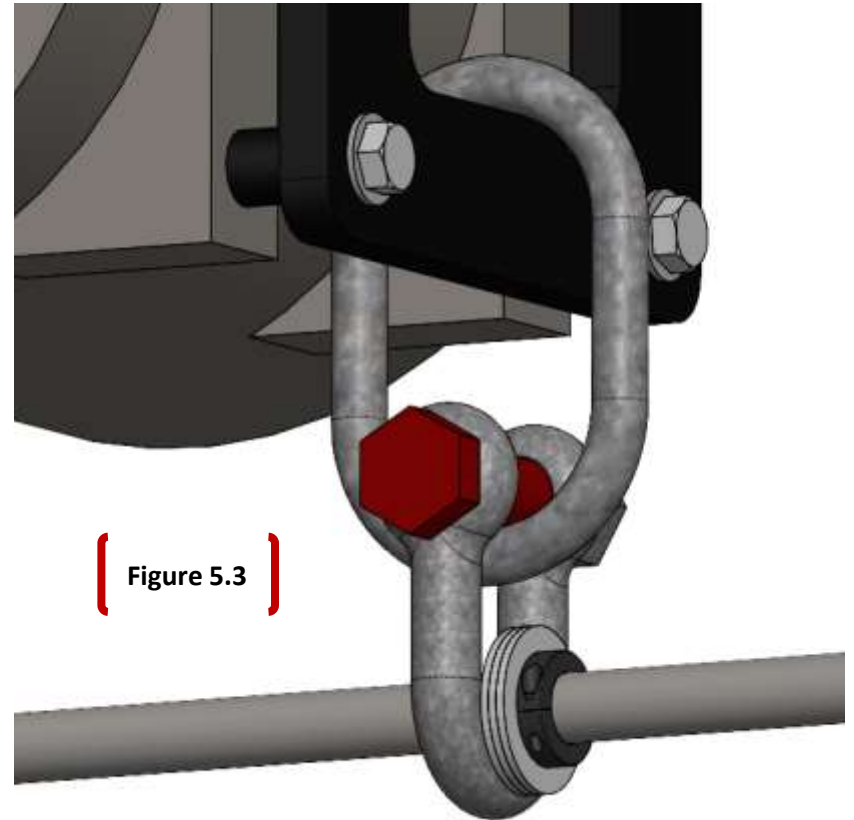
Figure 5.1



Figure 5.2



Figure 5.3



5. Universal Tow Storage (STX Steiger, Steiger, T90X0, TJXXX, etc.)

Refer to Figure 5.4 - 5.5

4. Install LAN-CIHTC124 to tractor frame on left side by replacing the top two bolts with (2) M12 x 50 flange bolts (LANF93474A235).
5. Attach LAN-CIHTC105 to LAN-CIHTC124 with the bronze bushing (LANF-BRBS-0.69-0.50) and the 5/8" bolt (LAN26B00), washer (LAN26000) and lock nut (REDKRJF).
6. Hook the cable on LAN-CIHTC124 and secure LAN-CIHTC105 closed with LANS5704.

Go Back to Tractor Specific Section for Cable Stowing Steps if Necessary

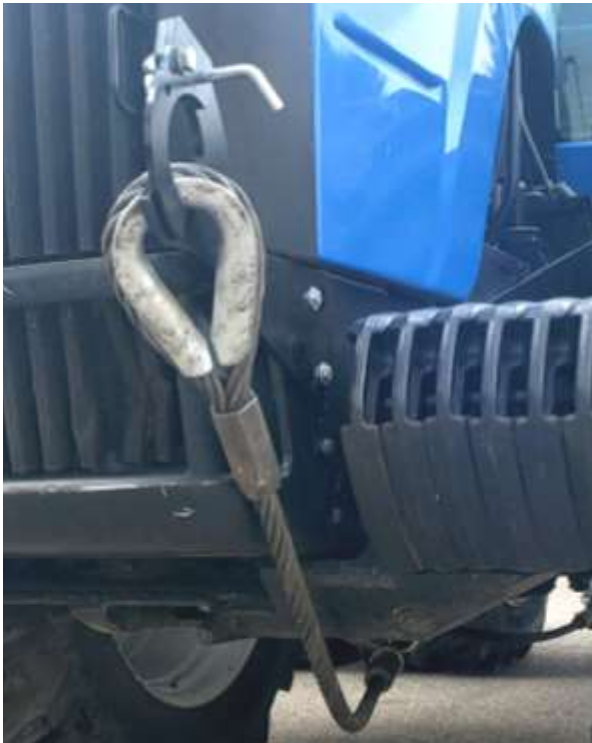


Figure 5.4

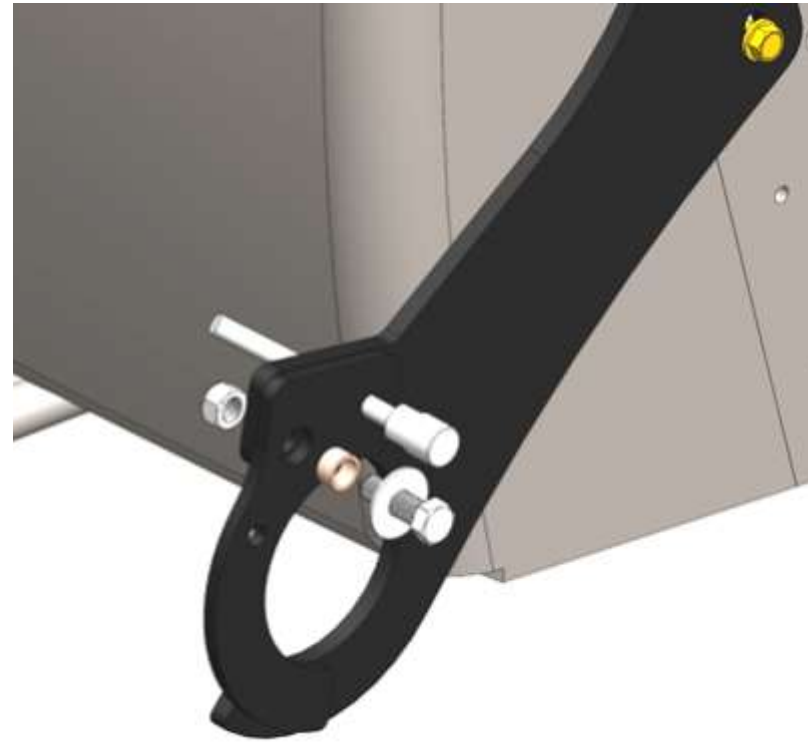


Figure 5.5