

# LANCP22498

## Installation Instructions

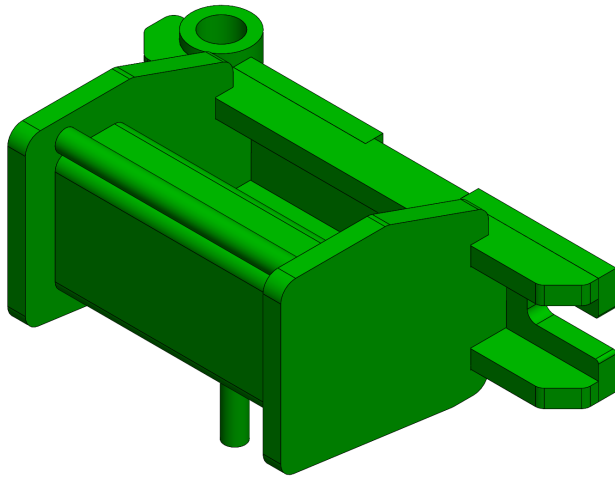
Lankota Weight Bracket Kit for JD® 12-16 Row 1770 & 1775 Corn Planters with Front Fold Markers

# LANKOTA®

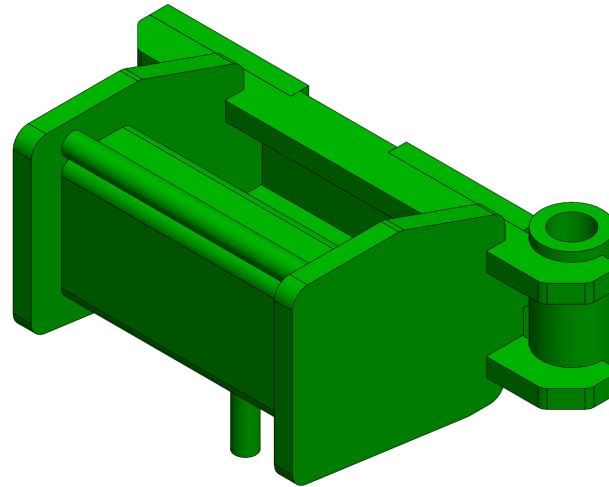
270 West Park Avenue  
Huron, SD 57350  
866-526-5682

# Numerical Parts List

<b>Part Numbers</b>	<b>Description</b>	<b>Qty</b>
LANWB22498A	Weight Bracket Left	1
LANWB22498AM	Weight Bracket Right	1



LANWB22498A (1)



LANWB22498AM (1)

# Preparation

1. Set corn planter to an appropriate working height at the ends of the wings.
2. Remove the markers and the marker mounting frames from both wings. Save the OEM break away bolt and hardware and the 1 1/2" pin if possible. **If these parts are damaged upon removal, new parts will need to be purchased from your dealer.**



# Kit Installation

## Refer to Figures 1 & 2

1. Using LANWB22498A on the left (driver side), pin to the planter using the original 1 1/2" diameter pin. Retain the bottom of the pin with the original snap ring.
2. Bolt the other side of the weight bracket with the original bolt and plate washer through the planter frame.



Figure 1



Figure 2

# Kit Installation

## Refer to Figures 3 & 4

3. Add up to 6 suitcase weights per bracket.
4. Bolt the weights together using the correct length hardware at the location shown below with a red arrow, to clamp the weights against the bottom center pin.

**NOTE: Weight fastening hardware is not included.**

Repeat steps on the opposite side of the planter.

**For further technical assistance,**

**Call Lankota Inc. at:**

**1-866-526-5682**



Figure 3



Figure 4