

LANSR19309

Installation Instructions

Lankota 52" Stalk Roller Kit for Tractors with Front 3 Point Hookup

LANKOTA®

**270 West Park Avenue
Huron, SD 57350
866-526-5682**

Numerical Parts List

Part Numbers	Description	Qty
LANSR003	FWA 74" Stalk Roller Assembly	2
LANSR005	FWA Stalk Roller Mount Frame	1
LANSR006	FWA Stalk Roller Wing Frame	1
LANSR007	FWA Stalk Roller Wing Frame	1
LANSR008	FWA Stalk Roller Wing Pin	2
LANSR009	FWA Stalk Roller Plastic Washer	4
LANSR091	3 Point Stalk Roller Mount	1
LANSR091P	3 Point Stalk Roller Pin	2
LANW250100-S	Hydraulic Cylinder for Stalk Rollers	2
LANF3231	1/4"-28 Grease Zerk	4
LANSR095	3 Point Mount Shim	12
LANSRJD8RHK	Hydraulic Hose kit for JD8R Stalk Rollers	1
-----	28" Hydraulic Hose - 3/8"	2
-----	40" Hydraulic Hose - 3/8"	2
-----	26 ft (312") Hydraulic Hose - 3/8"	2
-----	9/16" Male JIC to 9/16" Male ORB	2
-----	9/16" Male JIC Tee	2
-----	1/2" Female NPT Quick Coupler	2
-----	1/2" Female NPT to 1/2" Male NPT Tee	2
-----	1/2" NPT Male Coupling	2
-----	9/16" Male JIC to 1/2" Male NPT	2
-----	9/16" Male JIC to 9/16" Male ORB 90 Deg	4

Numerical Parts List

Part Numbers	Description	Qty
LANSR3PTBH	Box of Hardware Includes:	1
LANFC507	Hex Head Cap Screw - 1/2"-13 x 1.75", gr. 8	2
RED1F30	Top Lock Nut - 1/2"-13, gr. 5	2
LANFWS57	SAE Flat Washer - 5/8"	8
LANFF3EC	Hex Head Cap Screw - 5/8"-11 x 8.50", gr. 8	8
REDB710	Hex Head Cap Screw - 5/8"-11 x 2.50", gr. 5	8
LAN690830	Serrated Flange Nut - 5/8"-11, gr. 5	32
LAN079UBOLT	UBOLT - 5/8"-11 x 6.50"	12
LANFWYMW	Clevis Pin—1" Diameter x 5.00" Long	1
LANFWS50	SAE Flat Washer—1"	1
LANFOIF0	Cotter Pint—3/16" x 2.00"	1
RED708K	Carriage Bolt—5/8"-11 x 2.00", gr. 5	4
LAN1626000	Nyloc Nut—5/8"-11, gr. 5	4
LANSS704	Stalk Stomper Pin Assembly - Bent Pin	2
LAN25162	Hose Clamp	2
LAN18A00	Hex Head Cap Screw—3/8"-16 x 1.00", gr. 5	2
LANFWS53	SAE Flat Washer—3/8"	4
REDODTT	Top Lock Nut—3/8"-16	2
LANSR093	3 Point Stalk Roller Shim	12
LANSR094	3 Point Ball—1-7/16"	2
LANSCA-1	1" Cylinder Stroke Control	4
LAN44302	11" Zip Tie	12

Pictorial Parts List

					
LANSR003 (2)	LANSR091 (1)	LANSR005 (1)	LANSR006 (1)	LANSR007 (1)	LANSR008 (2)
					
LANSR009 (4)	LANW250100-S (2)	LANSR091P (2)	LANSR093 (12)	LANSR094 (2)	LAN1626000 (4)
					
RED708K (4)	LANSS704 (2)	LANSCA-1 (4)	RED1F30 (2)	LANSR095 (12)	LANFWS57 (8)
					
REDB710 (8)	LAN690830 (32)	LANFC507 (2)	LAN079UBOLT (12)	LANF3231 (4)	LANFHYSW (1)

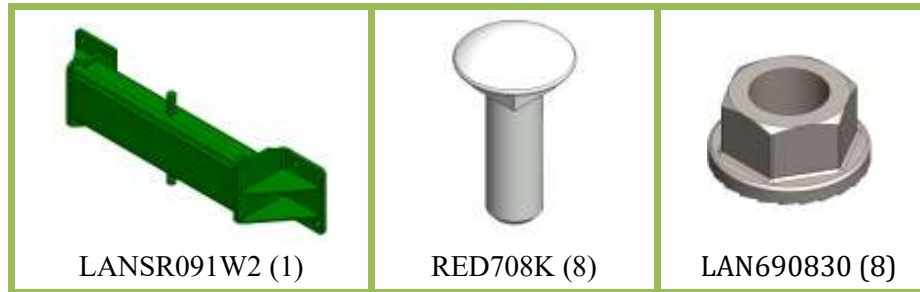
Pictorial Parts List (continued)

 <p>LANFF3EC (8)</p>	 <p>LANFWS50 (1)</p>	 <p>LANF0IF0 (1)</p>	 <p>LAN25162 (2)</p>	 <p>LAN18A00 (2)</p>	 <p>LANFWS53 (4)</p>
 <p>RED0DTT (2)</p>	 <p>LAN44302 (12)</p>				

Weight Bracket Kit—LANSR091WJD (Optional)

Part Numbers	Description	Qty
LANSR091WJD (OPTIONAL KIT)	Box of Hardware Includes:	1
LANSR091W2	3 Point Stalk Roller Weight Bracket for John Deere	1
RED708K	Carriage Bolt—5/8"-11 x 2.00", gr. 5	8
LAN690830	Serrated Flange Nut - 5/8"-11, gr. 5	8









Weight Bracket Kit—LANSR091WJD (Optional)



Tool Box Kit—LANTB24574 (Optional)

Part Numbers	Description	Qty
LANTB24574 (OPTIONAL KIT)	Box of Hardware Includes:	1
LANTBJD100-A	Tool Box Assembly	1
LANSR096	3 Point Stalk Roller Tool Box Mount	1
LANSR096M	3 point Stalk Roller Tool Box Mount—Opposite	1
RED708K	Carriage Bolt—5/8"-11 x 2.00", gr. 5	4
LAN690830	Serrated Flange Nut - 5/8"-11, gr. 5	4
LAN3722	Serrated Flange Nut—1/2"-13, gr. 5	4
LANFWS55	SAE Flat Washer—1/2"	4
REDB505	Hex Head Cap Screw—1/2"-13 x 1-1/4", gr. 5	4

Tool Box Kit—LANTB24574 (Optional)

				
LANTBJD100-A (1)	LANSR096 (1)	LANSR096M (1)	RED708K (8)	LAN690830 (8)
				
LAN3722 (4)	LANFWS55 (4)	REDB505 (4)		

Disclaimer

This kit from LANKOTA adds 2000 lbs. to the front of a tractor. Never exceed manufacturer's specified load limit on the front of a tractor! This may mean that weights or a weight bracket may need to be removed from the tractor to install this kit.

WARNING: After completing installation, be careful around the wings the first dozen or so times they are folded/unfolded. The process of purging the air from the hoses can cause the wings to jerk up and down dangerously and unexpectedly.

Installation

- 1.1 Measure the width of the 3 point arms on your tractor. Using an appropriate number of 3 Point Stalk Roller Shims (LANSR093) around the 3 Point Stalk Roller Pin (LANSR091P), match the spacing of the 1-7/16" 3 Point Ball (LANSR094) on the 3 Point Stalk Roller Mount (LANSR091). Retain the pin with the included 5/8"-11 X 2.00" Carriage Bolt (RED708K) and 5/8"-11 Nylon Lock Nut (LAN1626000). Tighten the hardware.
- 1.2 Attach the assembled 3 Point Stalk Roller Mount (LANSR091) to the 3 point arms. Attach the top link with the provided LANFHYYMW (Clevis Pin—1" Diameter x 5.00" Long), LANFWS50 (1" SAE Washer), and LANFOIF0 (3/16" X 2.00" cotter pin).



Figure 1.1



Figure 1.2a



Figure 1.2b

Installation

Refer to Figure 2.1

2.1 There are three sets of holes in the mount (LANSR091). Ideally, the top set of bolts will be 27" to 30" off the ground when the mount frame (LANSR005) is bolted to the mount.

IMPORTANT: If your tires come within 4" of the front of the 3 point mount when turned all the way in one direction, you will want to use the included 3 Point Shims (LANSR095) to space the mount frame away from the front of the tractor to provide stalk roller/tire clearance. In this instance, you will use the 5/8"-11 x 8-1/2" Grade 8 Hex Head Bolts (LANFF3EC) to attach the mount frame to the 3 point mount.

Refer to Figure 2.2

2.2 Using the 5/8" bolts (REDB712), washers (LANFWS57), and serrated lock nuts (LAN690830) attach the mount frame to the mount. Tighten all hardware. **Make sure the washers are on the bolt head side of the plate!**



Figure 2.1



Figure 2.2

Installation

Refer to Figure 3.1

3.1 Plastic washers (LANSR009) are provided to eliminate metal to metal contact between the wing frames (LANSR006 & LANSR007) and the mount frame (LANSR005). Make sure these are in place in the following steps.

Refer to Figure 3.2

3.2 Using the pivot pin (LANSR008) attach the wing frames to the mount frame. Retain the pivot pin with the provided 1/2" bolt (LANFC507) and lock nut (RED1F30). When in the driver's seat, LANSR006 will be on your left, and LANSR007 will be on your right.

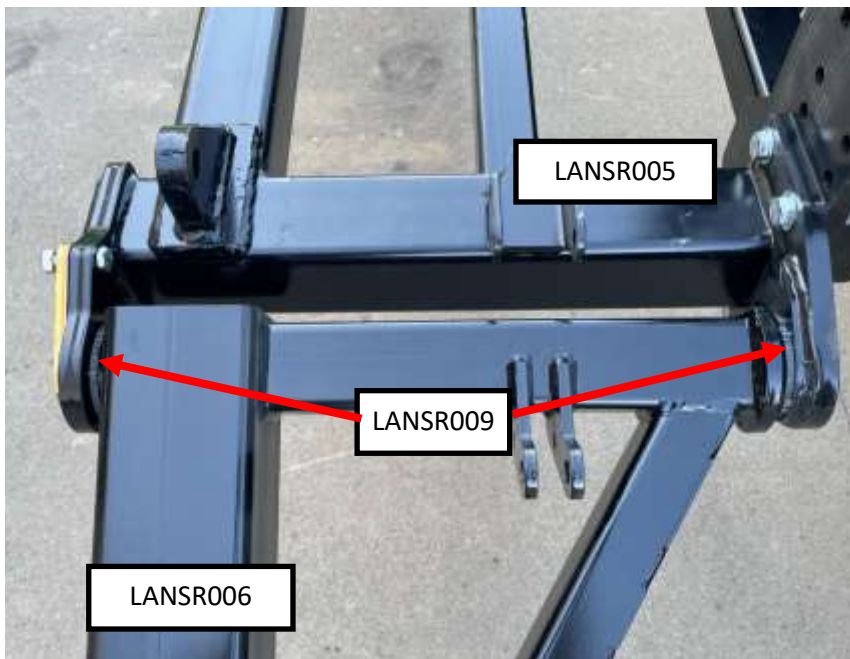


Figure 3.1



Figure 3.2

Installation

Refer to Figure 4.1

- 4.1 Install the hydraulic cylinders (LANW250100-S) with included pins. Make sure the ports are facing toward the tractor and that the rod end is connected to the wing frames (LANSR006 & LANSR007).
- 4.2 When the cylinder is completely extended, the wing frame should be parallel to the ground. There is room for minor adjustments by screwing the clevis in/out of the rod.

Figure 4.1



Installation

Refer to Figure 5.1

5.1 Using the provided 5/8" U-bolts (LAN079UBOLT) and serrated flange nuts (LAN690830), attach the row mounts to the stalk roller wing frames (LANSR006 & LANSR007). Make sure to position the drums so they are centered between the duals.

NOTE: The roller drum will be angled toward the back of the tractor.

Figure 5.1



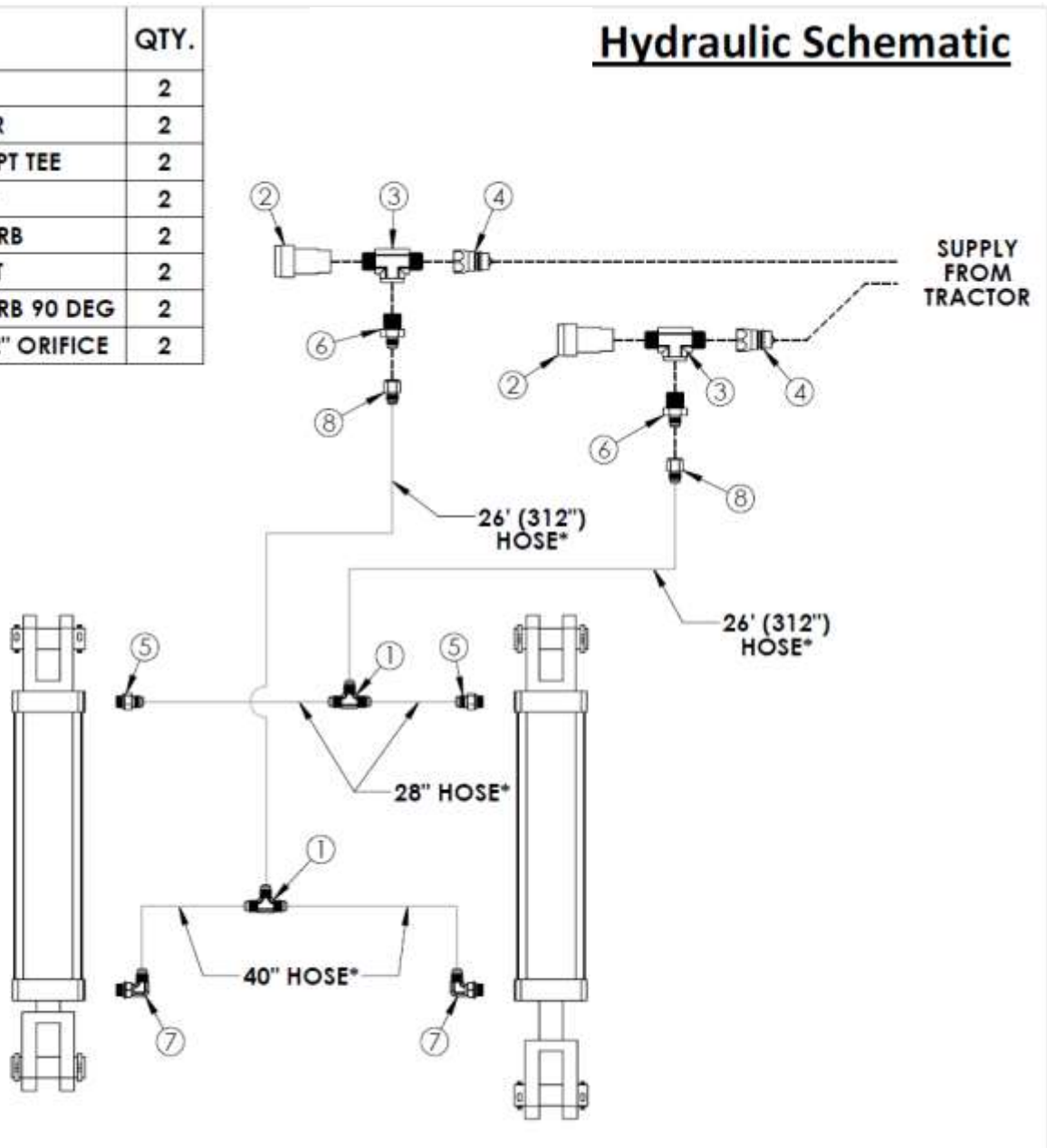
Hydraulic Schematic

ITEM NO.	DESCRIPTION	QTY.
1	9/16" MALE JIC TEE	2
2	1/2" FEMALE NPT QUICK COUPLER	2
3	1/2" FEMALE NPT TO 1/2" MALE NPT TEE	2
4	1/2" NPT MALE NIPPLE COUPLING	2
5	9/16" MALE JIC TO 9/16" MALE ORB	2
6	9/16" MALE JIC TO 1/2" MALE NPT	2
7	9/16" MALE JIC TO 9/16" MALE ORB 90 DEG	2
8	9/16" JIC MALE TO FEMALE - 1/32" ORIFICE	2

* 3/8" Diameter Hoses



Every hose end is crimped with a straight swivel flange fitting.



Installation

NOTE: Use the hydraulic schematic on the previous page as a reference for the following hydraulic installation procedures.

Refer to Figure 6.1

6.1 Attach a straight fitting on the base end of the cylinder and a 90 degree fitting on the rod end of the cylinder. A 28" hose will be attached to the straight fitting. A 40" hose will be attached to the 90 degree fitting. Do this on each cylinder.

Refer to Figure 6.2

6.2 Both sets of hoses will meet up and attach to the tee fittings in the middle. Make sure cylinder base hoses are together and rod end hoses are together. Also make sure that the hoses have enough freedom to move as the wing frames rotate up 90 degrees. Attach the two 312" hoses to the tee fittings and route them under the front end of the tractor.



Figure 6.1



Figure 6.2

Installation

Refer to *Figure 7.1 to 7.3*

7.1 Route the hoses out the back of the tractor. Attach the hose to the NPT tee fitting and quick couplers as shown in the schematic. They can now be plugged into one of the auxiliary ports at the back of the tractor.

7.2 Keep the hoses in front of the weight bracket contained using the hose clamps (LAN25162) and 3/8" bolts, washers and lock nuts (LAN18A00, LANFWS53 and RED0DTT).

NOTE: Do a quick check to make sure all fittings are tight, all hoses are restrained properly and none of them are dangling below the tractor.



Figure 7.1



Figure 7.2



Figure 7.3

Installation

Refer to Figure 8.1 and 8.2

8.1 Two pins (LANSS704) are included to hold the wing frames UP during long term storage. The purpose is to keep the hydraulic cylinders from settling. An extra hole is provided for storage of the pin while the rollers are in use.

Storage Position



Figure 8.1

Operating Position



Figure 8.2

Headlight Clearance Consideration

Refer to Figures A, B & C

If additional light clearance is required, install cylinder stops (LANSCA-1) as necessary (one or two) on each cylinder to hold the roller arms away from the lights.

Note: The cylinder stops will need to be removed in order to utilize the storage pin position (See Figure C).



Figure A

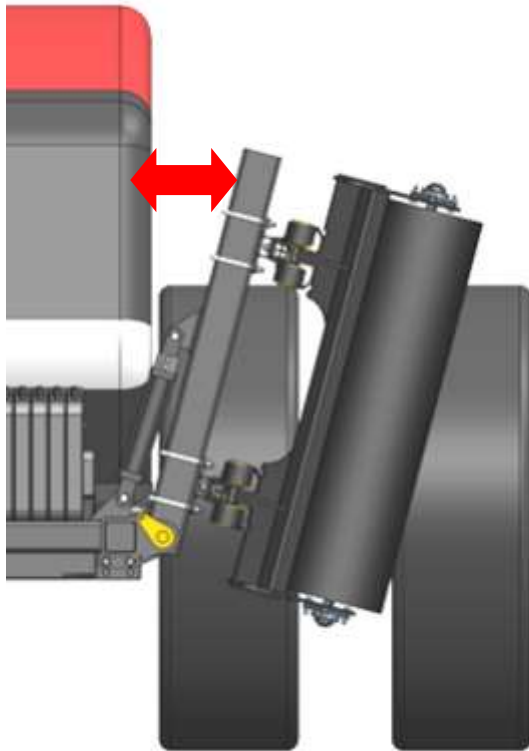


Figure B

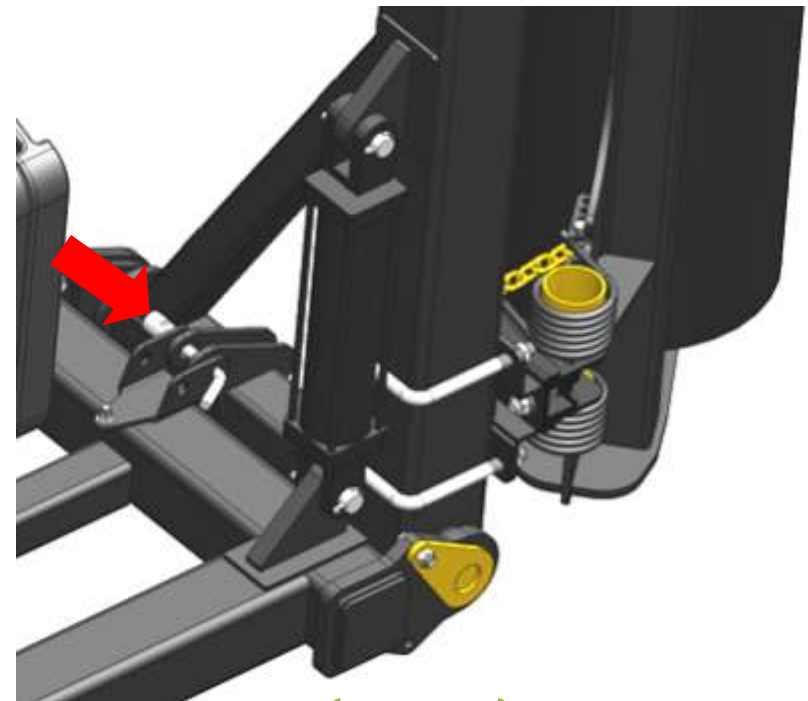


Figure C

Weight Bracket Kit Installation—LANSR091WJD (Optional)

Refer to Figures A & B

- A. Bolt the weight bracket (LANSR091W2) to the front of the 3 point mount using the provided 5/8"-11 x 2.00" carriage bolts (RED708K) and 5/8"-11 Serrated Flange Nuts (LAN690830).
- B. Slide your suitcase weights onto either side of the center rib of the weight bracket, and secure together with the factory weight hardware.

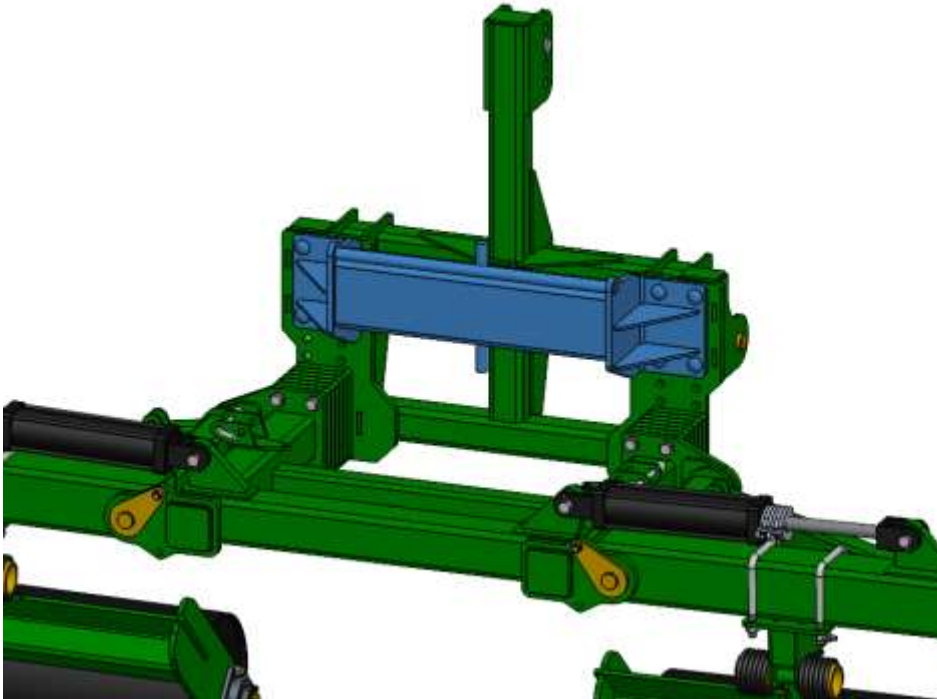


Figure A

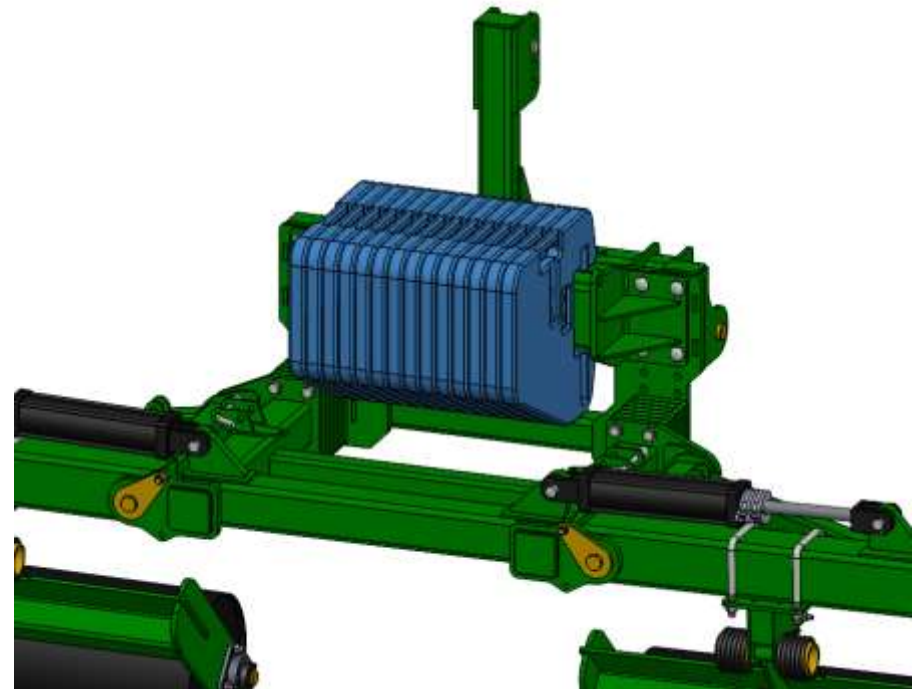


Figure B

Tool Box Installation—LANTB24574 (Optional)

Refer to Figures C & D

- C. Bolt the tool box mount (LANSR096) to the LEFT (driver side) front of the 3 point mount using the provided 5/8"-11 x 2.00" carriage bolts (RED708K) and 5/8"-11 Serrated Flange Nuts (LAN690830). It will connect to the inner set of bolt holes.
- D. Bolt the opposite tool box mount (LANSR096M) to the RIGHT (passenger side) front of the 3 point mount using the provided 5/8"-11 x 2" carriage bolts (RED708K) and 5/8"-11 Serrated Flange Nuts (LAN690830). It will connect to the inner set of bolt holes. The outside of the tool box mount brackets should be just under 32" apart.
- E. With the toolbox (LANTBJD100-A) open, bolt it to the tool box mounts through the bottom surface of the toolbox using the provided 1/2"-13 x 1-1/4" Hex Head Bolts (REDB505), 1/2" SAE Washers (LANFWS55), and 1/2"-13 Serrated Flange Nuts (LAN3722).



Figure C

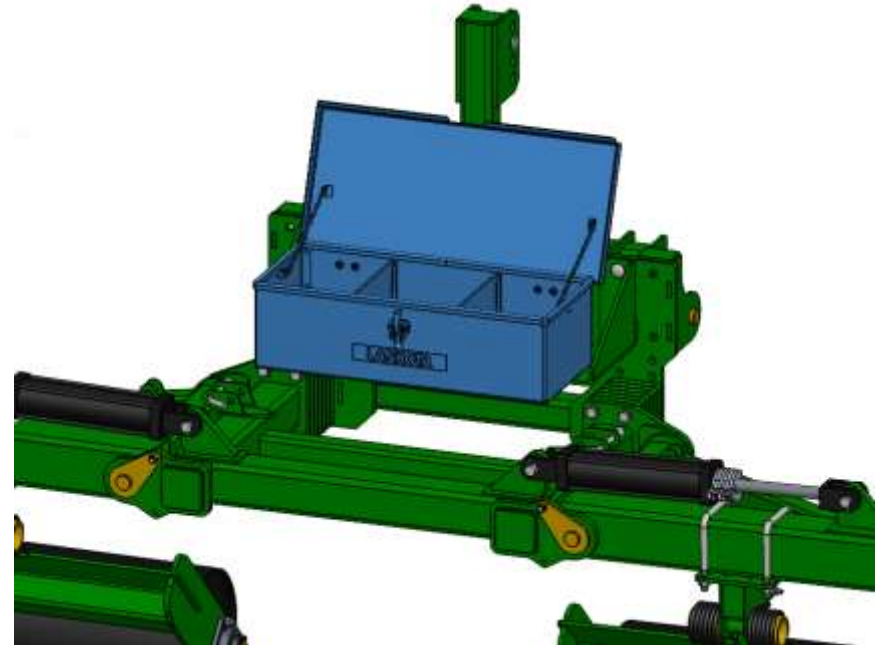


Figure D

Stalk Roller Disclaimer

Stalk Roller Disclaimer

The most effective use of the Lankota Stalk Roller is achieved by adjusting the chain on the roller so that when they are unfolded, the roller drum is just touching the ground and the spring is not compressed. Over compression of the spring can shorten the life of the roller spring and may result in undue damage NOT covered by Lankota's Limited Warranty.



For further technical assistance,

call Lankota Inc. at:

1-866-526-5682