

# **LANSSCIH20/30**

## **Installation Instructions**

**Lankota GENERATION II Stalk Stomper® Mounting Kit for CaseIH® 2400/3200/3400 Series Corn Heads**

# **LANKOTA®**

**270 West Park Avenue**

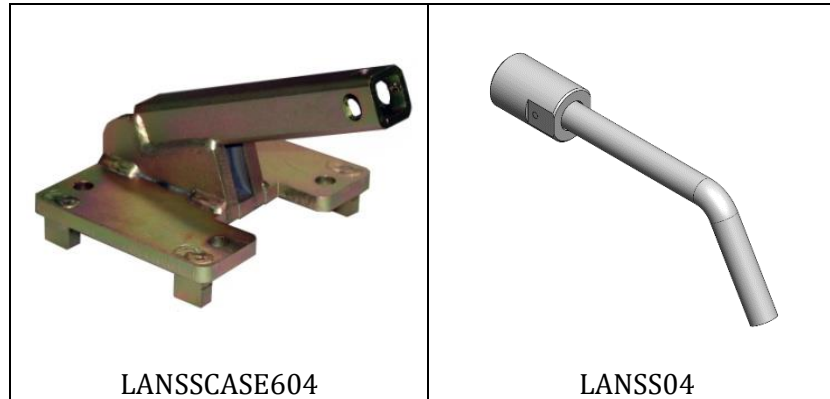
**Huron, SD 57350**

**866-526-5682**

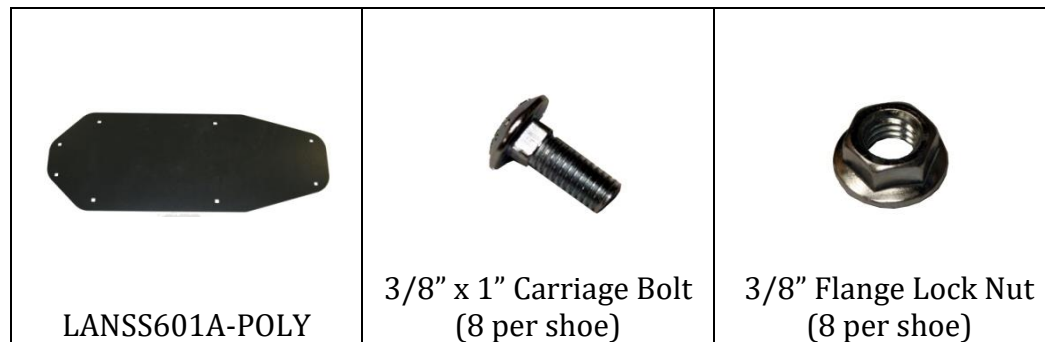
# Numerical Parts List

<b>Part Numbers</b>	<b>Description</b>	<b>Quantity</b>
LANSSCASE604	Row Mount	2
LANSS704	Custom Hitch Pin	2
Optional Part List		
LANSS601A-POLY	Poly skid shoe	1 per row
LANSS601A-POLYBH	8 carriage bolts and flange nuts per bag	8 per row

## Pictorial Parts List



## Optional Pictorial Part List



# Preparation

1. Attach desired header to the combine. Lock the head to the combine.
2. Raise the head off the ground and lower the safety stop on the feeder house cylinder.
3. Set the parking brake on the combine.
4. Turn off the combine engine and remove the key.

# Stalk Stomper<sup>®</sup> Disclaimer

## ***Stalk Stomper<sup>®</sup> Disclaimer***

The most effective use of the Lankota Stalk Stomper<sup>®</sup> is achieved by adjusting the stomper pad so that when the corn head is at its normal cutting height, the pad of the shoe is 1" above the ground. Over compression of the spring can shorten the life of the stomper spring and may result in undue damage NOT covered by Lankota's Limited Warranty.

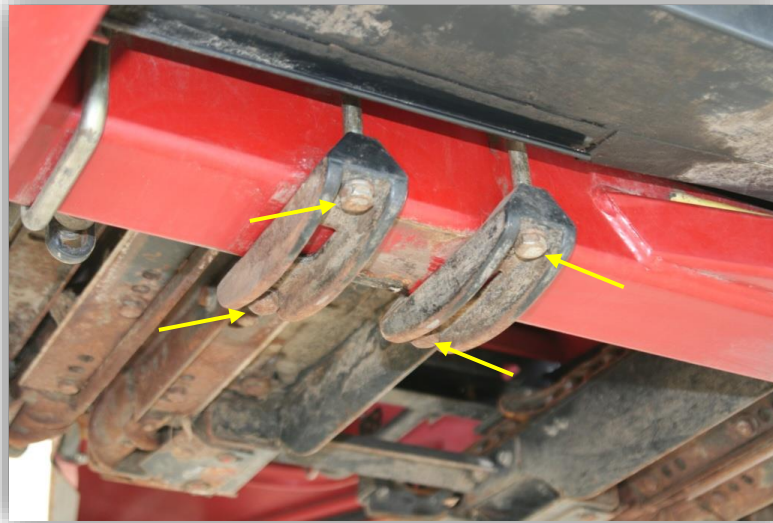
# Installation

*Refer to Figure 1.1*

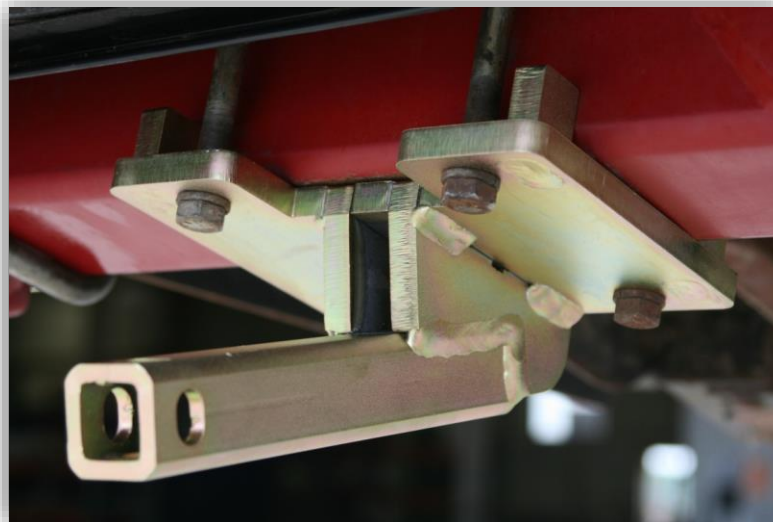
1. Remove the 4 bolts holding the row unit on.

*Refer to Figure 1.2*

2. Place the LANSSCASE604 row mount against the bottom of the box tube as shown and reinstall factory bolts.



*Figure 1.1*



*Figure 1.2*

*Refer to Figure 1.3*

3. Slide Stalk Stomper onto row mount and secure with LANSS704 pin.



*Figure 1.4*

# Optional Stalk Stomper<sup>®</sup> Poly Installation

*Refer to Figure 1.5*

**Note:** If you did not order the optional poly please skip this step.

5. Attach poly wear plates to bottom of the Lankota Stalk Stomper<sup>®</sup> shoe utilizing 8 bolts and 8 nuts provided in the LANSS601A-POLYBH bag of hardware.

*Figure 1.5*



For further technical assistance,

Call Lankota Inc. at:

1-866-526-5682