

LANTC18241

Installation Instructions

Lankota Tow Cable Stow Bar Kit for John Deere 8x30, 8x30T, 8R, 8RT & 8RX Tractors

WITHOUT Front Weights or Weight Bracket

LANKOTA®

270 West Park Avenue

Huron, SD 57350

866-526-5682

Parts List

| Part Numbers | Description | Qty |
|--------------|--------------------------------------|-----|
| LAN8RTC008 | Cable Stow Bar | 1 |
| LAN8RTC009 | Cable Stow Latch | 1 |
| LAN8RTC021 | 2020+ Tractor Adapter Bracket | 2 |
| LAN8RTC023 | Cable Latch Clamp Plate | 1 |
| LANF1SA3 | M20 x 55 Hex Bolt | 6 |
| LANF-FW-M20 | M20 Flat Washer | 6 |
| LANFMLW0 | M20 Lock Washer | 2 |
| LANF1S9P | M20 Hex Nut | 2 |
| LANFM7M3 | 1/2" x 1.5" Serrated Flange Hex Bolt | 2 |
| LAN3722 | 1/2" Serrated Flange Nut | 2 |



Kit Installation

For 2020+ tractors with a wider front weight bracket hole pattern, Skip to Step 4.

Refer to Figures 1 & 2

1. Tractors **with** Weight Bracket (See Figure 1) - Remove the top outer bolts holding the weight bracket, from each side, and bolt on LAN8RTC008. Reuse the original bolts.
2. Tractors **without** Weight Bracket (See Figure 2) - Bolt LAN8RTC008 onto the front of the tractor frame with two bolts (LANF1SA3) and flat washers (LANF-FW-M20).

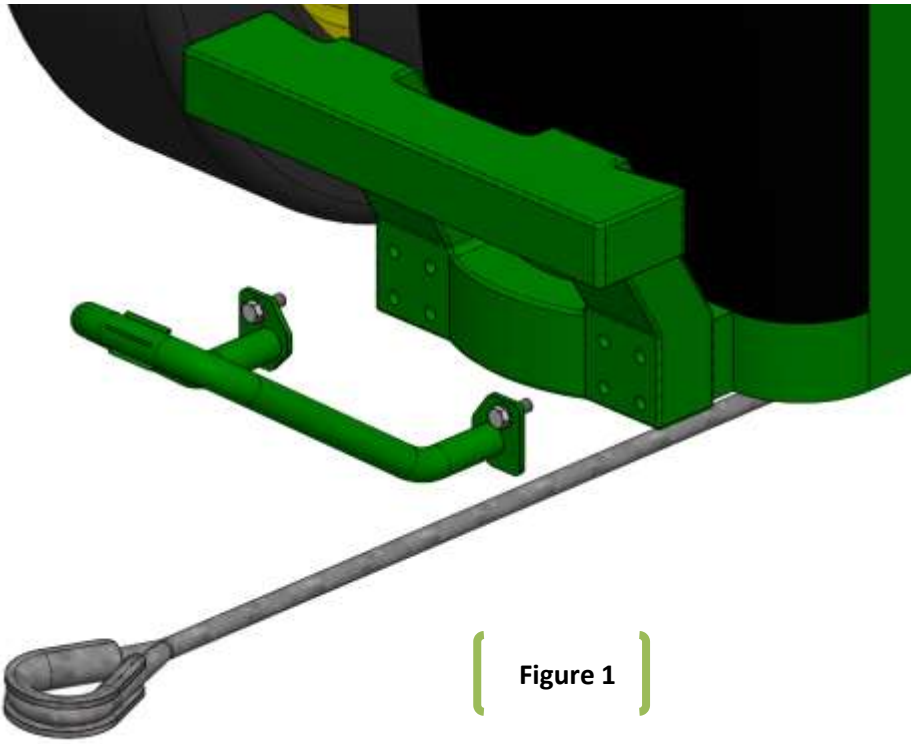


Figure 1

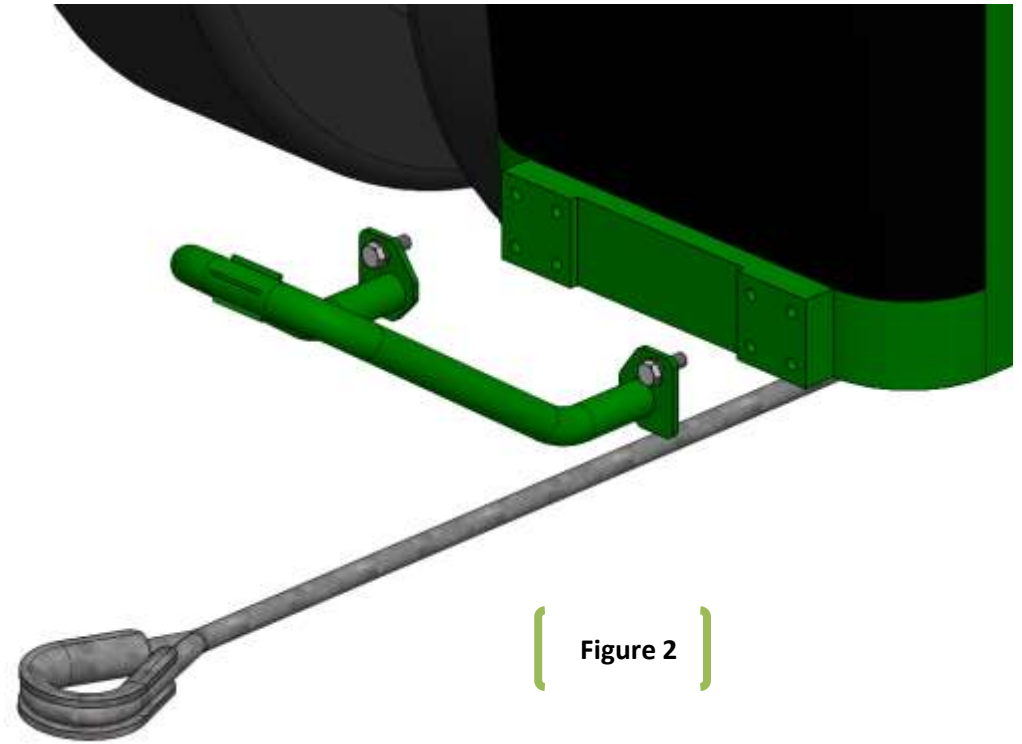


Figure 2

Kit Installation

For 2020+ tractors with a wider front weight bracket bolt pattern

Refer to Figures 3 & 4

3. Bolt the adapter brackets (LAN8RTC021) to the cable stow bar (LAN8RTC008) with two M20 x 55 hex bolts (LANF1SA3), four flat washers (LANF-FW-M20), and two hex nuts (LANF1S9P).
4. Remove the OEM weight bracket if applicable and bolt through the mounting adapter bracket into the front of the tractor with two M20 x 55 bolts and two flat washers on each side.

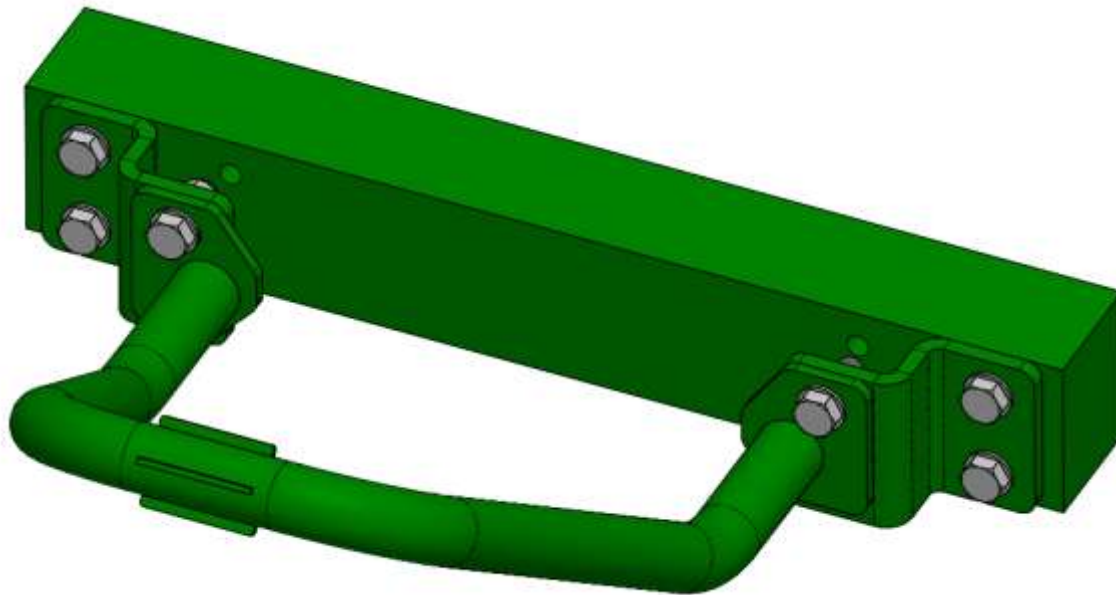


Figure 3

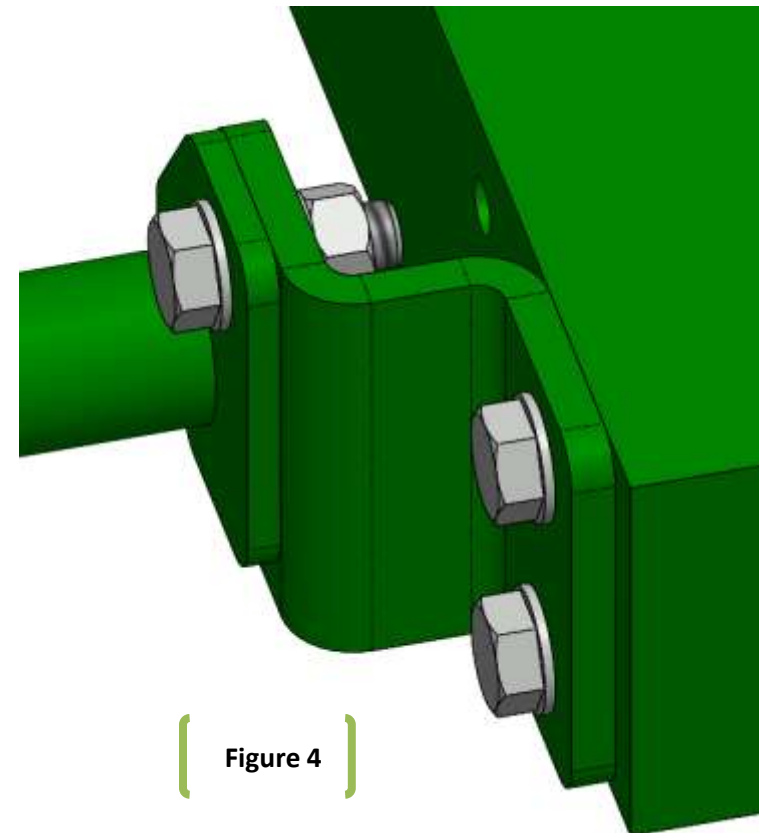


Figure 4

Kit Installation

Refer to Figures 5 & 6

1. Assemble the cable storage clasp; made up of the LAN8RTC009 & LANJDTC105 with 5/8" bolt (REDB707), washer (LAN26000), bronze bushing, and lock nut (REDKRJF).
2. The twist lock pin (LANSS704) is used to hold the latch closed.
3. Orient and mount the storage clasp to the stow bar with the clamp plate (LAN8RTC023) and two 1/2" serrated bolts and nuts (LANFM7M3 & LAN3722).

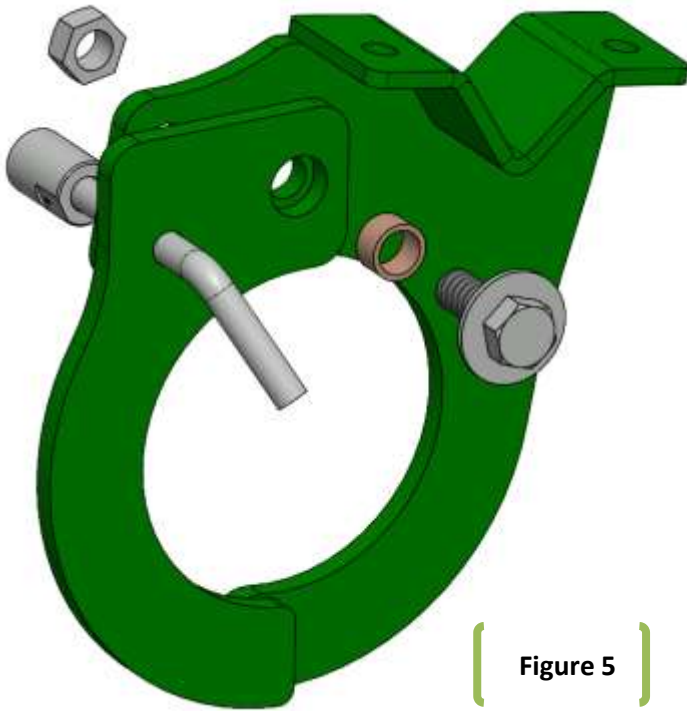


Figure 5

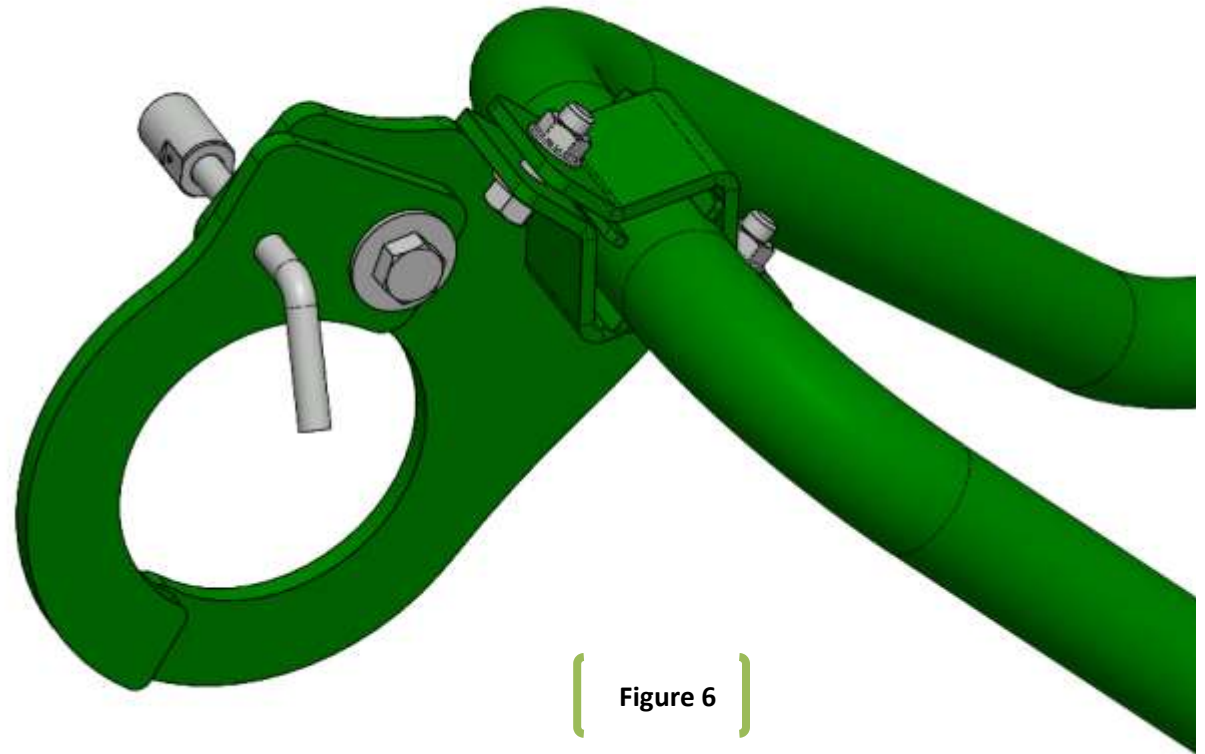


Figure 6